

IMPORTANT SAFEGUARDS

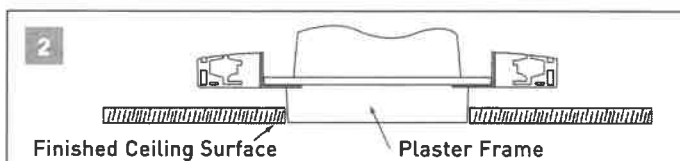
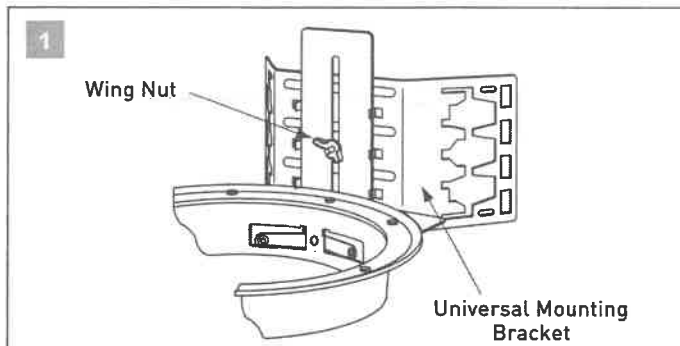
When using electrical equipment, basic safety precautions should always be followed including the following:

READ AND FOLLOW ALL SAFETY INSTRUCTIONS

1. To avoid the possibility of electrical shock, turn off power supply before installation or servicing.
2. Product must be installed in accordance with NEC or your local electrical code. If you are not familiar with these codes and requirements, consult a qualified electrician.
3. This fixture must be supported by main runners or other building structure that is capable of supporting fixture weight.
4. These fixtures are thermally protected. Do not install insulation within 3 inches (76 mm) of fixture sides or junction box nor above fixture in such a manner as to entrap heat.
5. Blinking lamp may indicate fixture is too close to insulation.

SAVE THESE INSTRUCTIONS FOR FUTURE REFERENCE

LUMINAIRE INSTALLATION

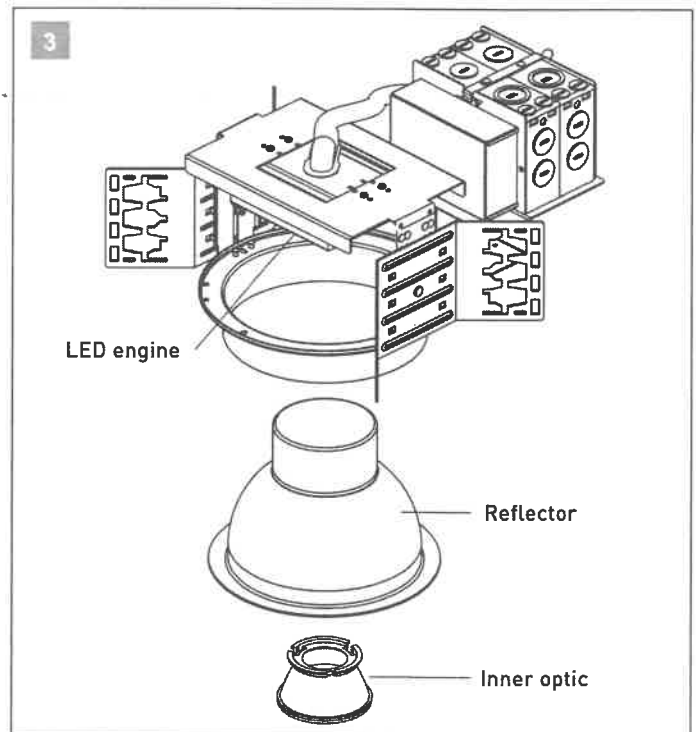


STEP 1

- Mark a spot on the ceiling to indicate the fixture location.
 - Use this mark as a center point and scribe a 6-1/2" diameter circle on the ceiling and cut hole using proper cutting tool.
- NOTE:** Cut a 5-1/8" (for 4" fixtures), 8-1/16" (for 8" fixtures) opening.

STEP 2

- This fixture is provided with universal mounting brackets that accept the following mounting means: C-Channels, flat bar hangers, 3/4" and 1-1/2" lathing, or 1/2" conduit (order mounting means separately).
 - Install selected mounting means through the universal mounting bracket.
 - From above ceiling, position fixture so that the trim opening of the housing fits inside the hole cut in the ceiling.
 - Secure the C-channels, conduit or bar hangers to the ceiling structure in such a way to provide sufficient support to the fixture as well as to prevent the fixture from moving up.
- NOTE:** T-bar clips may be purchased separately using accessory part number RARC7.



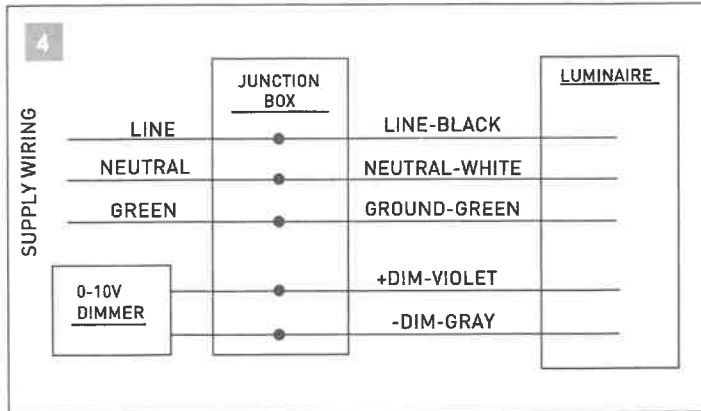
STEP 3

- Adjust the plaster ring by loosening wing nuts located on each of the hanging brackets (Figure 1).
 - Raise or lower the fixture so that the plaster ring is flush with or no more than 1/16" above the ceiling finished surface (Figure 2).
 - Tighten wing nuts.
- NOTE:** Fixture may be adjusted to accommodate ceiling thicknesses up to 1-3/8" thick.

STEP 4

- Make the appropriate electrical connections per the Electrical Connections Section.

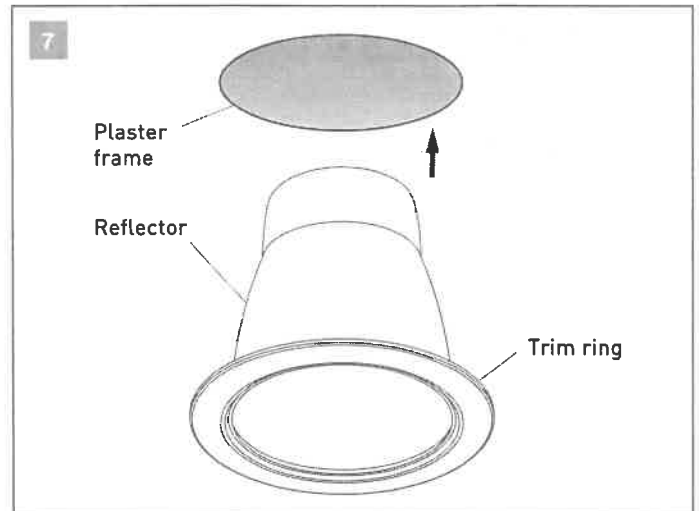
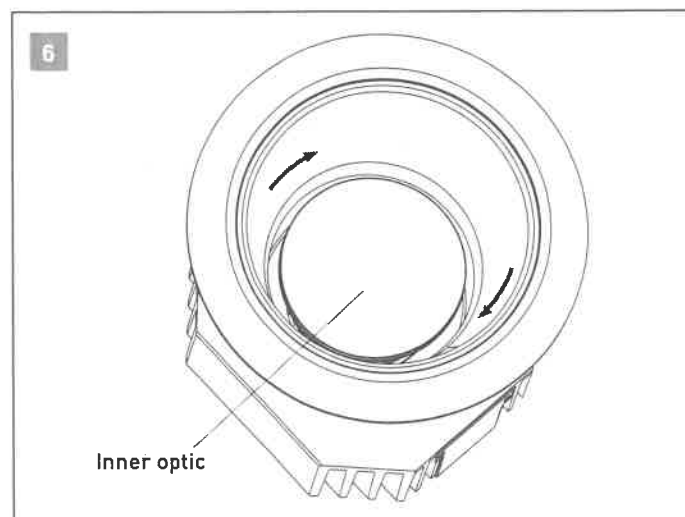
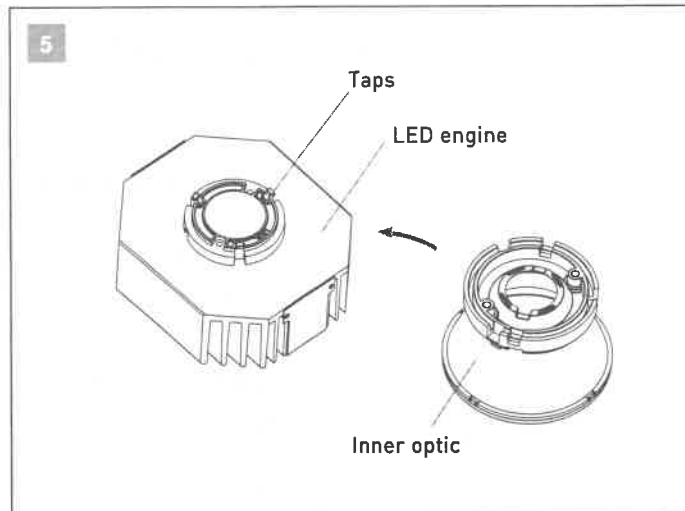
ELECTRICAL CONNECTIONS



STEP 1

- Using customer supplied 90°C minimum rated wire connectors, make the following electrical connections within the junction box (**Figure 4**):
 - Connect the black fixture lead to the voltage supply lead.
 - Connect the white fixture lead to the neutral supply lead.
 - Connect the green or green/yellow ground lead to the supply ground lead.
 - If dimming with 0-10V, connect the violet and gray dimming wires to the corresponding wires on the dimmer. Incoming dimming leads from the 0-10V dimmer must be Class 1 wire.
 - If not using with 0-10V dimming, cap off violet and gray dimming leads with separate wire nuts.

TRIM INSTALLATION



STEP 1

- Attach the inner optic by aligning the notches in the inner optic with the tabs on the light engine. Rotate inner optic in a clockwise direction to lock it in place (**Figure 5 & 6**).

STEP 2

- Push the reflector with trim ring through the hole in plaster frame until flush with ceiling. Spring clip tension can be adjusted by bending spring clip (**Figure 7**).
- Push up until the reflector flange is tight against the ceiling (**Figure 7**).

4931 Paseo Del Norte NE. Suite K
Albuquerque, NM 87113
Royal Pacific Ltd.

www.rplighting.com
Email: royal@rplighting.com

T (800) 937-6925
F (800) 207-9509

 RP | LIGHTING · FANS