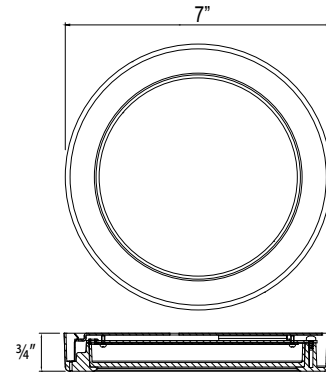


# 8536-1-HO-90

120V

Catalog #:		Type
Project:		Date
Prepared by:		

## 7" LED Slim Round High Output Disk



### DESCRIPTION

A slim round LED Edge-lit Disk light that is an attractive and versatile solution for a slim-profile surface mount downlight. Suitable for use in wet locations, this is a great choice for most any residential or light commercial application. This disk has the benefits of higher lumen output and the higher 90 CRI.

### DESIGN FEATURES

#### Construction

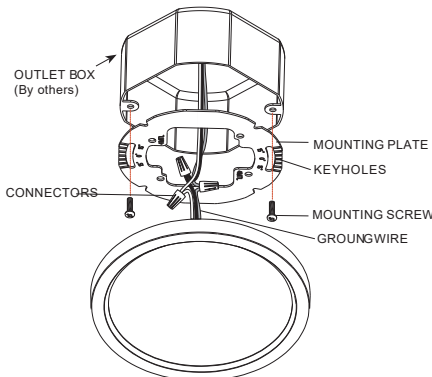
- Metal backplate and heat sink
- Frosted acrylic layered diffuser to reduce glare and provide even light distribution

#### Electrical

- 120V-60Hz
- Dimmable TRIAC or ELV, 10-100%
- 50,000 hour projected life
- 15.1W | 1267 lms (delivered)
- 90 CRI | 3000K or 5CCT Selectable: 27K, 3K, 35K, 4K, 5K

#### Installation

- Mounting bracket included for installation in 3" or 4" J-Box applications
- Retrofit option includes torsion springs and E26 base adapter for mounting in 5/6" housings



#### EM Battery Pack (sold separately)

- Empty Filler Housing also available
- See page 2 for further information

#### Certifications

- CEC JA8 Compliant (8536-1-HO-90-3K only)
- 8536-1: cCSAus Listed for wet location
- LED Light Source: 5 Year Limited Warranty
- Non-Electrical: 1 Year Limited Warranty
- Suitable for use in closets when installed in

accordance to NEC Section 410.16 (C)(1)

#### ORDERING GUIDE

Example: 8536-1WH-HO-90-3K-R

Model #	Finish	CRI	CCT	Retrofit
8536-1				
8536-1	<b>BN</b> : Brushed Nickel <b>BK</b> : Black <b>OB</b> : Oil Rubbed Bronze <b>WH</b> : White	<b>-HO-90</b>	<b>-3K</b> :3000K <b>-5CCT</b> : 27K, 3K, 35K, 4K, 5K Selectable	(blank) No Retrofit <b>-R</b> : Retrofit

#### ORDERING GUIDE

Example: 4785WH-EM

Model #	Finish	Option
4785		
4785	<b>BN</b> : Brushed Nickel <b>BK</b> : Black <b>WH</b> : White	<b>-EM</b> : Battery Backup with Test Switch <b>-F</b> : Empty Filler Housing Only



TEL: 800.937.6925 | Fax: 800.207.9509 | [www.rplighting.com](http://www.rplighting.com)

Specifications and dimensions subject to change without notice.

10/4/24 R4



LIGHTING • FANS

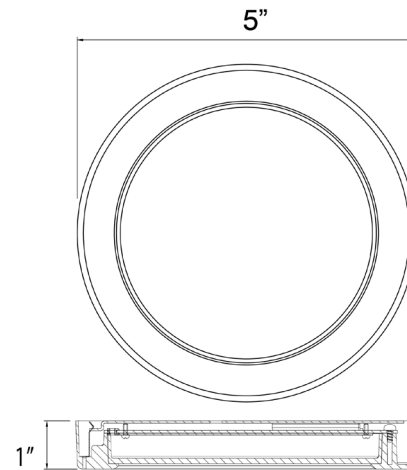
8536-1-HO - 7" Slim Round HO Disk

# 4785EM

120V-60Hz

Catalog #:		Type
Project:		Date
Prepared by:		

## 7" LED Flush Mount Emergency Battery Back-up



### DESCRIPTION

For use with the RP Lighting's 8536-1 disk, this maintenance-free emergency battery back-up unit with rechargeable Ni-MH battery allows for emergency power down corridors or open applications. With the blank empty filler unit you can now have a similar appearance in the space when using the emergency unit.

### DESIGN FEATURES

#### Construction

- Durable metal backplate and heat sink to facilitate heat dissipation

#### Electrical

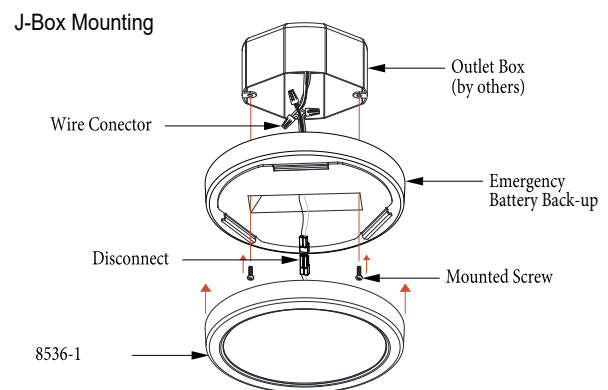
- 120V - 60Hz
- Non-Switch Loads Only (Always On Applications)
- Battery - 11.1V / 2.6Ah Ni-MH Re-chargable; up to 24 hours charge time
- Emergency Output - 20% of nominal power
- Provides over 120 minutes when normal power fails
- LED Indications - Red - Charging; Green - Fully Charged; Yellow - Faulty
- Operating Temperature - 0°C (32°F) to +55°C (+131°F)
- Test Switch / Charging Indicator Light: 4W-ITS
- (4-wire illuminated test switch) included on 4785EM

#### Installation

- For use with 8536-1 disks from RP Lighting
- One-piece emergency battery back-up unit allowing for 3" or 4" J-Box installation

#### Certifications

- 4785-EM: cCSAus Listed to UL924 standards
- cCSAus listed for damp location
- 4785-EM: 1 Year Limited Warranty
- 4785-F: 1 Year Limited Warranty



TEL: 800.937.6925 | Fax: 800.207.9509 | [www.rplighting.com](http://www.rplighting.com)

Specifications and dimensions subject to change without notice.

10/4/24 R4