



INSTALLATION INSTRUCTIONS FOR THE 4" Square LED Downlight Retrofit

Model# S9756/S9757/S9758/S9759

WARNING

Risk of Fire or Shock:LED Retrofit Kit installation requires knowledge of luminaires electrical systems. If not qualified,do not attempt installation.Contact a qualified electrician.

Risk of Fire or Shock:Supply conductors (power wiring) connecting the fixture must be rated minimum 90°C.If uncertain ,consult an electrician.

Risk of Electric Shock:Disconnect power at fuse of circuit breaker before installing or servicing.

Risk of Fire Electric Shock:Install this kit only in the luminaires that has the constructios features and dimensions shown in the photographs and / or drawings.

Risk of Fire Electric Shock:Do not make or alter any open holes in an edclosure of wiring or electrical components during kit installation.

Risk of Fire Electric Shock:Do not alter,or remove wiring,lampholders,power supply,or any other electriacl component.

Risk of Fire Electric Shock:To prevent wiring damage or abrasion,do not expose wiring to edges of sheet metal of other sharp objects.

CAUTION: To avoid possible electric shock,be sure that power supply is turned off at fuse box or circuit breaker before attempting installation or servicing of the fixture.For safest operation read and become familiar with complete installation instructions prior to use.

Compatible Housings

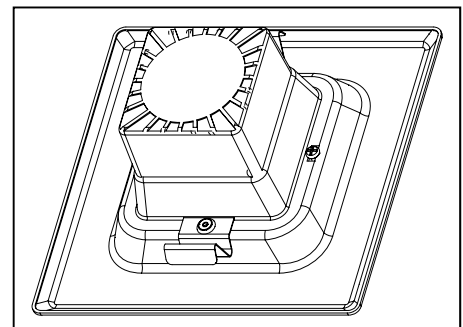
4" Recessed LED Downlight will work with most 4 inch housings. 4"Recessed LED

Downlight has a built in trim and does not require any additional trim. Use in recessed housings with no open holes. This LED retrofit kit is intended for installing in the field in recessed type IC and NON-IC lumnaires with dimensions outlined in the installation instructions.

Minimm height for 4 inch cans is 5 in.(12.5cm).

Suitable for wet locations in covered ceiling mount luminaires.

The retrofit kit is accepted as a component of a luminaire where the suitability of the combination shall be determined by cULus of authorities having jurisdiction.



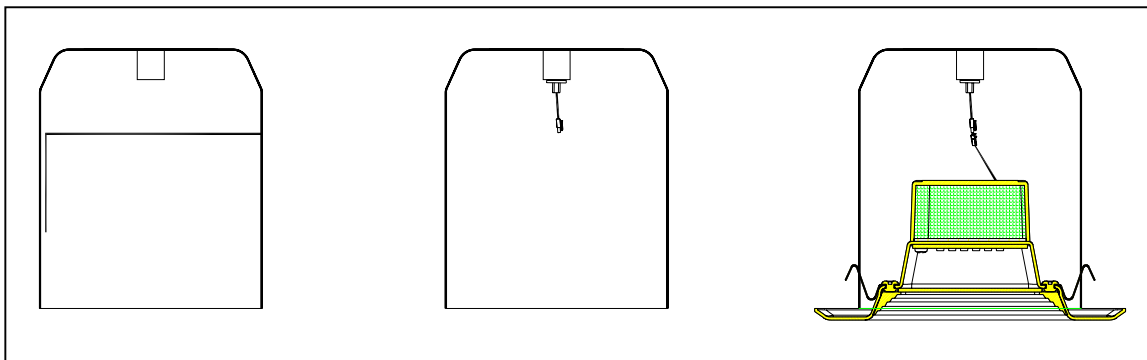
4" Recessed LED Downlight

Use of Dimmers

The 4" Recessed LED Downlight can be dimmed with most standard dimmers. To ensure your dimmer is compatible, To ensure your dimmer is compatible, visit www.satco.com for recommended dimmers.

Installation of 4" Recessed LED Downlight into recessed can.

Mounting bracket and plate



Cutaway view of housing with Socket
Mounting Bracket and plate

Cutaway view of housing without Socket
Mounting Bracket and plate

Cutaway view of housing with
4 inch installed

- Step 1 . Remove socket mounting bracket and plate from inside existing recessed housing (if installed).
- Step 2. Remove socket from plate and discard plate. Attach retro-fit sticker to inside of housing.
- Step 3. Screw Edison base into socket in recessed housing.(Fig.1)
If using GU24 base for Title 24, or similar, compliance attach it into GU24 socket in recessed housing instead.(Fig.2)
- Step 4. Plug the fixture connector into the Edison (or GU24) base connector.
- Step 5. Carefully route wires into housing and push module up flush to ceiling surface (Fig.3)



Fig.1



Fig.2

Removing 4" Recessed LED Downlight

- Step 1. With fingertips, pull down firmly on trim ring until module stops.
- Step 2. Disconnect LED module wiring from recessed can (LED Connector or screw-in Edison base).

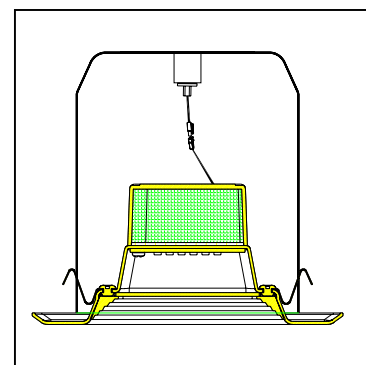


Fig.3

Minimum housing height:
4" Housing =5.0 in (12.5cm)