

ARWF – PULSAIR™

WALL FAN HEATER



PULSAIR™



THE CLASSIC FAN HEATER

You won't find anything better than this efficient, durable and low noise fan heater. The Pulsair is extremely popular for many reasons. First, it can be recessed or surface mounted with a surface adapter (optional). It can also be mounted vertically or horizontally so that air can flow either up and down or right and left. Finally, the slim-line Pulsair can be recessed into a wall thickness of 2 in. to 3 in. While it's a winning heating solution for hallways or bathrooms, it can also be installed anywhere in the house, such as the office, or in commercial spaces. Its nichrome element provides instant heat. Available from 500 W to 2000 W, and from 120 V to 277 V, the Pulsair is recognized and recommended by those in the know.

- **VERY QUIET FAN HEATER**
- **THE MOST RESISTANT GRILLE ON THE MARKET**
- **INSTANT HEAT**
NICHROME ELEMENT
- **MULTIPLE INSTALLATION OPTIONS**
RECESSED, SURFACE MOUNTED,
HORIZONTAL OR VERTICAL
- **OPTIONAL DISCONNECT SWITCH AVAILABLE**
- **ADAPTS TO MULTIPLE MARKETS**
AVAILABLE IN: 120 V, 208 V, 240 V AND 277 V

COLORS

- **standard:** white
- **Orora (optional):** refer to www.stelpro.com/en-US/Orora

FINISH

- epoxy-polyester powdercoat

MANUFACTURING

- 20-gauge steel cabinet and 18-gauge steel grille
- quiet fan – 40 CFM (500 W to 1000 W models) – 75 CFM (1250 W to 2000 W models)
- thermal protection with automatic reset
- dual wattage (DW) in some models (see DW in technical specifications table)
- additional thermal protection with a thermal fuse (must be replaced if triggered)
- pilot light indicates when thermal protection has been activated

ELEMENT

- nichrome element produces instant heat

CONTROL

- built-in thermostat (optional), 3 control knobs included (white, soft white and black)
- wall thermostat (not included) – the use of an electronic thermostat is strongly recommended

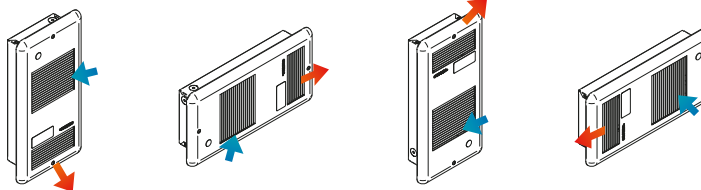
INSTALLATION

- wall mounted
- recessed (wall must have a depth of 2 3/8 in. minimum)
- surface mounted with surface adapter (optional)
- four installation positions

WARRANTY

- five years

FOUR INSTALLATION OPTIONS



IDEAL FOR:

hallway, bathroom, locker room, office

°STELPRO

Stelpro reserves the right to modify at any time the description, manufacturing, or price of its products. Additionally, Stelpro may apply restocking fees or refuse a refund based on one or more of the following criteria: optional color, custom product, assembly with low-demand options. For the latest product information and prices regarding the products, please visit the website www.stelpro.com.



TECHNICAL SPECIFICATIONS

WITHOUT CONTROL	BUILT-IN SINGLE POLE THERMOSTAT	BUILT-IN DOUBLE POLE THERMOSTAT	POWER		VOLTAGE	FLOW	HEAT RISE	WEIGHT
			WATTS	BTU/H				
CODE	CODE	CODE			VOLTS	CFM	°F	LB
ARWF1001W*	ARWF1001TW*	ARWF1001T2W*	1000 or 500	3413 or 1706	120	40	79	6
ARWF1008W*	ARWF1008TW*	ARWF1008T2W*	1000 or 500	3413 or 1706	208	40	79	6
ARWF1002W*	ARWF1002TW*	ARWF1002T2W*	1000/750 or 500/375	3413/2560 or 1707/1280	240/208	40	79	6
ARWF1007W	ARWF1007TW	ARWF1007T2W	1000	3413	277	40	79	6
ARWF1501W*	ARWF1501TW*	ARWF1501T2W*	1500 or 750	5119 or 2560	120	75	63	6
ARWF1508W*	ARWF1508TW*	ARWF1508T2W*	1500 or 750	5119 or 2560	208	75	63	6
ARWF1502W*	ARWF1502TW*	ARWF1502T2W*	1500/1125 or 750/563	5119/3840 or 2560/1922	240/208	75	63	6
ARWF1507W	ARWF1507TW	ARWF1507T2W	1500	5119	277	75	63	6
---	---	---	2000 or 1000	6825 or 3413	120	75	84	6
ARWF2008W*	ARWF2008TW*	ARWF2008T2W*	2000 or 1000	6825 or 3413	208	75	84	6
ARWF2002W*	ARWF2002TW*	ARWF2002T2W*	2000/1500 or 1000/750	6825/5119 or 3413/2560	240/208	75	84	6
ARWF2007W	ARWF2007TW	ARWF2007T2W	2000	6825	277	75	84	6

Consult the optional colors chart or contact your Stelpro representative for all other colors.

--- not available

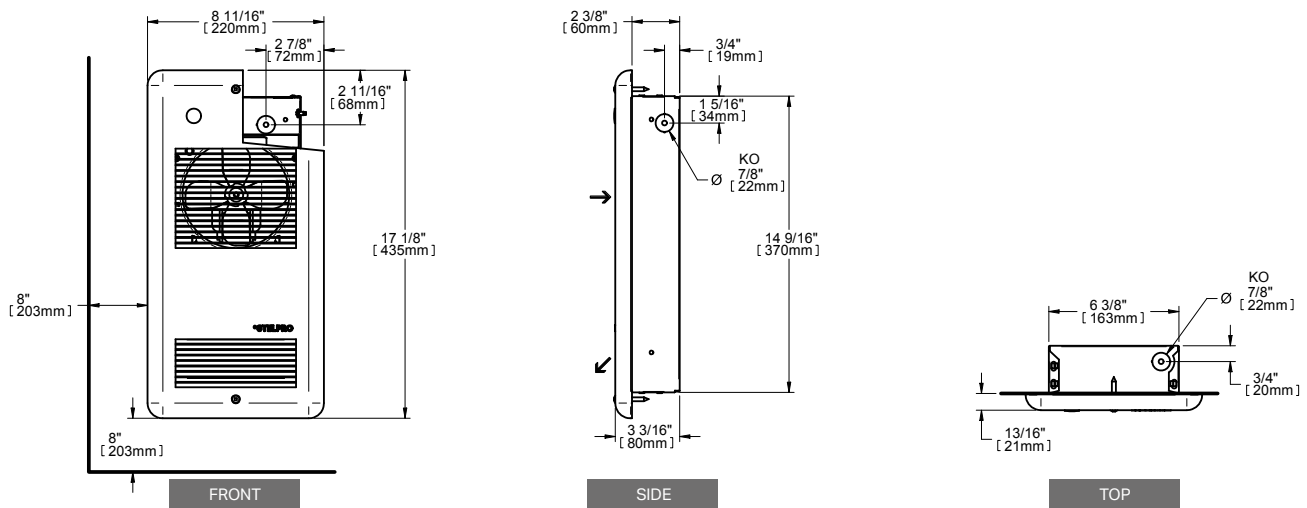
* Dual wattage

ACCESSORIES

PRODUCT	DESCRIPTION
RWFT1W	built-in single pole thermostat [120 V-347 V]
RWFT2	built-in double pole thermostat [120 V-347 V]
RWFSAW	surface adapter (white)
RWFDIS277*	disconnect switch [120 V-277 V] [17 A @ 120 V-12 A @ 277 V] [Unit without thermostat]
RWFDIS277T*	disconnect switch [120 V-277 V] [17 A @ 120 V-12 A @ 277 V] [Unit with thermostat]

* Factory installed

TECHNICAL DRAWINGS



Stelpro reserves the right to modify at any time the description, manufacturing, or price of its products. Additionally, Stelpro may apply restocking fees or refuse a refund based on one or more of the following criteria: optional color, custom product, assembly with low-demand options. For the latest product information and prices regarding the products, please visit the website www.stelpro.com.