

AWF

WALL FAN HEATER



VERSATILITY IS THE NAME OF THE GAME!

The AWF is a high-capacity fan heater that's ideal for building lobbies, long corridors, stairwells, workshops, factories and warehouses. Its electrical element is made of high-quality nichrome that provides an immediate surge of hot air. The various modes of wall installation make the WF heater one of the most versatile fan heaters on the market: it can be surface mounted or recessed, with a variety of models and heating capacities to choose from.

GRILLE WITH ROUNDED SIDES

DURABLE AND STYLISH

WIDE RANGE OF MODELS AND HEATING CAPACITIES

INCLUDING A SINGLE 4800 W MODEL

NICHROME ELEMENT

ASSURING INSTANT HEAT

OPTIONAL DISCONNECT SWITCH AVAILABLE



ROUNDED SIDES

IDEAL FOR:

lobby, corridor, factory, warehouse, stairwell

COLORS

- **standard:** white, soft white
- **Orora (optional):** refer to www.stelpro.com/en-US/Orora

FINISH

- epoxy-polyester powdercoat

MANUFACTURING

- 20-gauge steel cabinet and 18-gauge steel grille
- top air intake with bottom air discharge
- quiet helicoidal fan: single unit 1 x 160 CFM – double unit 2 x 160 CFM – triple unit 3 x 160 CFM
- thermal protection with automatic reset
- totally enclosed, permanently lubricated motor

ELEMENT

- high-quality nichrome element producing instant heat

CONTROL

- connection of multiple units to the same thermostat is possible with a relay kit without transformer (optional) and an external transformer (not provided)
- built-in thermostat (optional), 3 control knobs included (white, soft white and black) for standard installation, without knob for tamper-proof installation

INSTALLATION

- wall mounted
- recessed or surface mounted with surface adapter (optional)

WARRANTY

- three years

°STELPRO

Stelpro reserves the right to modify descriptions, manufacturing specifications or prices without prior notice. No returns accepted on optional-color products. For all the latest models and prices, please refer to our website at www.stelpro.com.



FC_WF_US_070922

TECHNICAL SPECIFICATIONS

WITHOUT CONTROL	BUILT-IN THERMOSTAT	240 V CONTROL	24 V CONTROL	POWER		VOLTAGE	MODEL
				WATTS	BTU/H	VOLTS	UNIT
CODE	CODE	CODE	CODE				
AWF1501	AWF1501T	---	AWF1501C24	1500	5119	120	SINGLE
AWF1508	AWF1508T	AWF1508C	AWF1508C24	1500	5119	208	SINGLE
AWF1502	AWF1502T	AWF1502C	AWF1502C24	1500/1125	5119/3839	240/208	SINGLE
AWF1507	AWF1507T	AWF1507C	AWF1507C24	1500	5119	277	SINGLE
---	AWF1505CT	AWF1505C	AWF1505C24	1500	5119	480	SINGLE
AWF2008	AWF2008T	AWF2008C	AWF2008C24	2000	6825	208	SINGLE
AWF2002	AWF2002T	AWF2002C	AWF2002C24	2000/1500	6825/5119	240/208	SINGLE
AWF2007	AWF2007T	AWF2007C	AWF2007C24	2000	6825	277	SINGLE
---	AWF2005CT	AWF2005C	AWF2005C24	2000	6825	480	SINGLE
AWF3008	AWF3008T	AWF3008C	AWF3008C24	3000	10 238	208	SINGLE
AWF3002	AWF3002T	AWF3002C	AWF3002C24	3000/2250	10 238/7679	240/208	SINGLE
AWF3007	AWF3007T	AWF3007C	AWF3007C24	3000	10 238	277	SINGLE
---	AWF3005CT	AWF3005C	AWF3005C24	3000	10 238	480	SINGLE
AWF4008*	AWF4008T*	AWF4008C*	AWF4008C24*	4000	13 651	208	SINGLE
AWF4002*	AWF4002T*	AWF4002C*	AWF4002C24*	4000/3000	13 651/10 238	240/208	SINGLE
AWF4007*	AWF4007T*	AWF4007C*	AWF4007C24*	4000	13 651	277	SINGLE
---	AWF4005CT*	AWF4005C*	AWF4005C24*	4000	13 651	480	SINGLE
AWF4808	AWF4808T	AWF4808C	AWF4808C24	4800	16 381	208	SINGLE
AWF4802	AWF4802T	AWF4802C	AWF4802C24	4800/3600	16 381/12 285	240/208	SINGLE
AWF4807	AWF4807T	AWF4807C	AWF4807C24	4800	16 381	277	SINGLE
---	AWF4805CT	AWF4805C	AWF4805C24	4800	16 381	480	SINGLE
---	AWF6008CT	AWF6008C	AWF6008C24	6000	20 476	208	DOUBLE
---	AWF6002T	AWF6002C	AWF6002C24	6000/4500	20 476/15 357	240/208	DOUBLE
---	AWF6007T	AWF6007C	AWF6007C24	6000	20 476	277	DOUBLE
---	AWF6005CT	AWF6005C	AWF6005C24	6000	20 476	480	DOUBLE
---	AWF60083CT*	AWF60083C*	AWF60083C24*	6000	20 476	208	TRIPLE
---	AWF60053CT*	AWF60053C*	AWF60053C24*	6000	20 476	480	TRIPLE
---	AWF8008CT	AWF8008C	AWF8008C24	8000	27 302	208	DOUBLE
---	AWF8002CT	AWF8002C	AWF8002C24	8000/6000	27 302/20 476	240/208	DOUBLE
---	AWF8007CT	AWF8007C	AWF8007C24	8000	27 302	277	DOUBLE
---	AWF8005CT	AWF8005C	AWF8005C24	8000	27 302	480	DOUBLE
---	AWF90083CT*	AWF90083C*	AWF90083C24*	9000	30 714	208	TRIPLE
---	AWF90053CT*	AWF90053C*	AWF90053C24*	9000	30 714	480	TRIPLE
---	AWF12008CT	AWF12008C	AWF12008C24	12 000	40 952	208	TRIPLE
---	AWF12002CT	AWF12002C	AWF12002C24	12 000/9000	40 952/30 714	240/208	TRIPLE
---	AWF12007CT	AWF12007C	AWF12007C24	12 000	40 952	277	TRIPLE
---	AWF12005CT	AWF12005C	AWF12005C24	12 000	40 952	480	TRIPLE
---	AWF120083CT*	AWF120083C*	AWF120083C24*	12 000	40 952	208	TRIPLE
---	AWF120053CT*	AWF120053C*	AWF120053C24*	12 000	40 952	480	TRIPLE

Add W for white or SW for soft white (consult the optional colors chart or contact your Stelpro representative for all other colors).

* Three-phase unit * Dual wattage (4000/2000 W – 13 651/6825 BTU/HR)

--- not available

ACCESSORIES

PRODUCT	DESCRIPTION
WFT1	built-in single pole thermostat [120 V-600 V] (standard or tamper-proof)
WFT2	built-in double pole thermostat [120 V-600 V] (standard or tamper-proof)
WFA1*	surface adapter (single unit)
WFA2*	surface adapter (double unit)
WFA3*	surface adapter (triple unit)
WFDIS-30*	disconnect switch kit 600 V/30 A, 2 poles
WFDIS-40*	disconnect switch kit 600 V/40 A, 2 poles/3 poles
WFDIS-60*	disconnect switch kit 600 V/60 A, 2 poles/3 poles
WFC24RX*	relay kit without transformer 24 V

* Add W for white or SW for soft white

* Factory installed

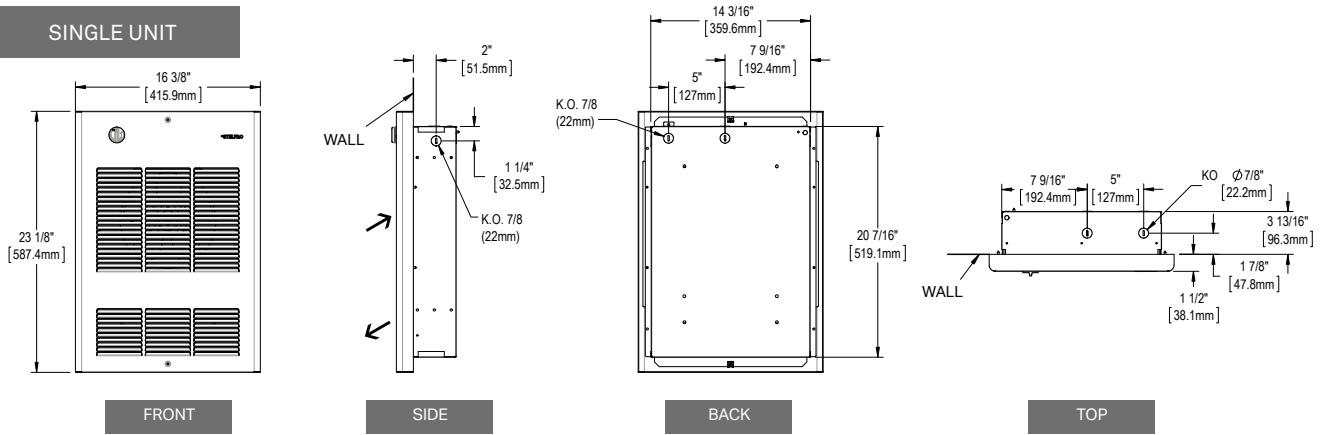


THROW DISTANCE AND HEAT RISE

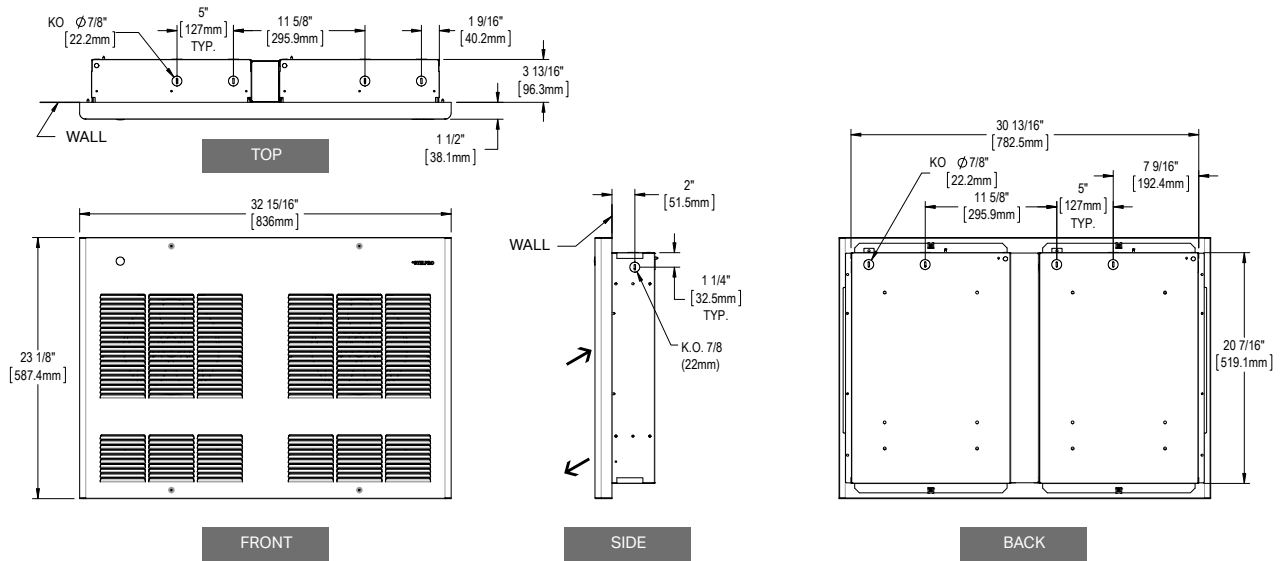
UNITS	THROW DISTANCE	HEAT RISE
KW	FT	°F
1.5	13'7"	30
2	13'7"	40
3	13'7"	59
4	13'7"	79
4.8	13'7"	95
6	13'7"	59
8	13'7"	79
9	13'7"	59
12	13'7"	79

TECHNICAL DRAWINGS

SINGLE UNIT



DOUBLE UNIT



TRIPLE UNIT

