

# SYLVANIA Luminaires

## ValueLED™ Garage

Item #
Type
Project
Notes
Date

### Application

The Garage luminaires are environmentally preferable LED alternatives to traditional HID luminaires, offering up to 81% in energy savings. Ideal in place of traditional luminaires, or as new installations, the ValueLED Garage series is offered in three wattages/lumen packages for use in garages, canopies, and mid bay general lighting.

### Benefits and Features

- IP65 rated body with polycarbonate lens offers easy mounting, reducing installation and maintenance costs
- High color rendering and DLC Premium listing ensure energy efficiency and provide uniform and even lighting
- Up to 115 LPW
- CCT Selectable (3000K, 4000K, or 5000K) enabled through switch located inside fixture
- CRI >80
- Offered in 25, 40, and 55 watts
- Type V distribution
- Energy savings up to 88%

### Electrical

- 120-277V<sub>AC</sub>
- Power Factor >90%
- THD <20%
- 0-10V dimmable
- Constant current LED driver with 10kV surge suppression

### Rated Life

- 125,000 hours (L<sub>70</sub>) @25°C

### Warranty

- 5-year

### Ambient Operating Range

- -22°F to +113°F (-30°C to +45°C)

### Certifications and Listings

- cULus
- RoHS
- FCC
- DLC Premium



### Wattage Comparison

Traditional Source	Traditional System Wattage	LED System Wattage	Energy Savings
35W HPS	42	25	40%
50W HPS	62	25	60%
70W HPS	91	25	73%
70W HPS	91	40	56%
100W HPS	120	25	79%
100W MH	130	25	81%
100W HPS	120	40	67%
100W MH	130	40	69%
150W HPS	170	25	85%
150W MH	188	25	87%
150W HPS	170	40	76%
150W MH	188	40	79%
150W HPS	170	55	68%
150W MH	188	55	71%
175W MH	210	25	88%
175W MH	210	40	81%
175W MH	210	55	74%
250W MH	290	40	86%
250W MH	290	55	81%

### Installation

- Easy installation directly to 3/4" pipe or back plate to junction box



## Ordering Guide

GARAG	2A	/	XXX	UNV	D	8	SC2	/	10R	5	WH	/	X
Product Name	Generation		Wattage	Voltage	Dimming	CRI	Color Temp		Dimensions	Distribution	Color / Finish		Options
GARAG = Garage Luminaire	2A = Generation 2A		025 = 25 Watts 040 = 40 Watts 055 = 55 Watts	120-277V	D = 0-10V Dimming	8 = >80	SC2 = 3000, 4000 or 5000K		10R = 10" diameter, round	5 = Type V Distribution	WH = White		Blank = no options D = Daylight / Motion Sensor

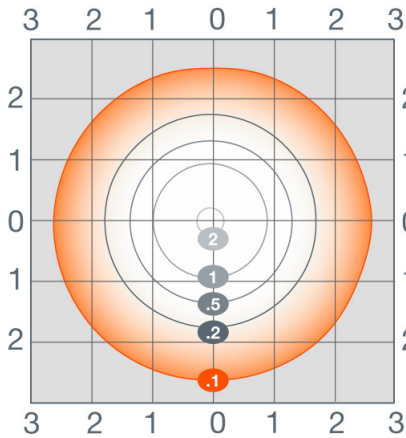
## Ordering Information

Item Number	Ordering Abbreviation	Wattage (W)	Input Voltage (V)	Dimming	CRI	Color Temperature (CCT)	Distribution	Total Fixture Lumens	LPW	DLC	Options
61744	GARAG2A/025UNVD8SC2/10R5/WH	25	120-277	0-10V	>80	3000, 4000 or 5000K	Type V	2800	112	Prm	–
61745	GARAG2A/040UNVD8SC2/10R5/WH	40	120-277	0-10V	>80	3000, 4000 or 5000K	Type V	4500	113	Prm	–
61746	GARAG2A/055UNVD8SC2/10R5/WH	55	120-277	0-10V	>80	3000, 4000 or 5000K	Type V	6300	115	Prm	–
61747	GARAG2A/025UNVD8SC2/10R5/WH/D	25	120-277	0-10V	>80	3000, 4000 or 5000K	Type V	2800	112	Prm	Daylight/Motion Sensor
61748	GARAG2A/040UNVD8SC2/10R5/WH/D	40	120-277	0-10V	>80	3000, 4000 or 5000K	Type V	4500	113	Prm	Daylight/Motion Sensor
61749	GARAG2A/055UNVD8SC2/10R5/WH/D	55	120-277	0-10V	>80	3000, 4000 or 5000K	Type V	6300	115	Prm	Daylight/Motion Sensor

## Photometric Data

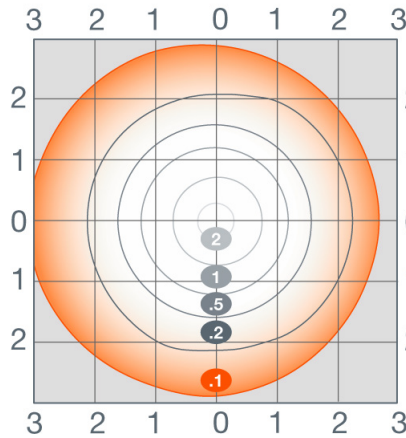
### GARAG2A/025UNVD8SC2/10R5

#### Isofootcandle Lines at 12' Mounting Height



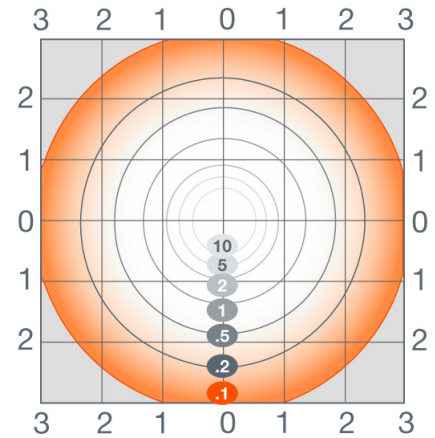
### GARAG2A/040UNVD8SC2/10R5

#### Isofootcandle Lines at 12' Mounting Height



### GARAG2A/055UNVD8SC2/10R5

#### Isofootcandle Lines at 12' Mounting Height

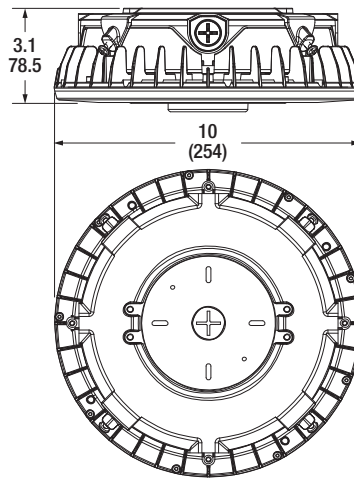


For other mounting heights apply the following multipliers:

Mounting Height	8'	10'	12'	15'	18'
Multiplier	2.25	1.44	1.00	0.64	0.44

## Physical Information


Luminaire Description	Diameter	Height
Garage Luminaire	10" (254mm)	3.1" (78.5mm)



Dimensions in inches (mm)

LEDVANCE LLC  
200 Ballardvale Street  
Wilmington, MA 01887 USA  
Phone 1-800-LIGHTBULB (1-800-544-4828)  
www.sylvania.com

SYLVANIA and LEDVANCE are registered trademarks.  
All other trademarks are those of their respective owners.  
Licensee of product trademark SYLVANIA in general lighting.  
Specifications subject to change without notice.

 /sylvania  /sylvania

© 2020 LEDVANCE LLC

Name: \_\_\_\_\_  
Email: \_\_\_\_\_  
Phone: \_\_\_\_\_

