

SYLVANIA Luminaire

UltraLED™ RT Screw-based

Application

Ideal for retrofit applications in healthcare, hospitality, office, residential and retail using 4 inch, 5 inch & 6 inch housings.

Benefits and Features

- Lumen Package for Standard RTs:
 - RT4 with 600 lumens
 - RT5/6 with 675 lumens
- Lumen Package for RT Selectable:
 - RT4 with 500 and 650 lumens
 - RT5/6 with 650, 725, 900 and 1200 lumens
- Standard RTs offer a complete product mix with all color temperatures available: 2700K, 3000K, 4000K and 5000K
- Selectable color temperature available with: 2700K, 3000K, 3500K, 4000K or 5000K
- Integrated white trim, baffle or smooth reflector, socket adaptor, airtight ring (included)
- No warm-up time, instant-on with full light output and consistent lamp to lamp color
- RT5/6 is compatible with 5 inch & 6 inch housings
- Standard RTs up to 80 LPW; selectable RTs up to 86 LPW
- CRI >80
- Standard RTs offered in 7.5 and 8.5 watts
- Selectable CCTs offered in 6, 8, 9, 11 and 14 watts
- 110° beam angle

Electrical

- 120V_{AC}
- Power Factor >70%
- Phase-Cut Dimmable

Rated Life

- 35,000 hours (L₇₀)

Warranty

- 5-year
- NLB Trusted Warranty Program

Ambient Operating Range

- -4°F to +104°F (-20°C to +40°C)

Certifications and Listings

- UL
- ENERGY STAR®
- RoHS



Wattage Comparison

Traditional Source	Traditional System Wattage	LED System Wattage	Energy Savings
Standard			
Incandescent	65W	7.5W	88%
Incandescent	65W	8.5W	87%
Selectable CCT			
Incandescent	55W	6W	89%
Incandescent	65W	8W	88%
Incandescent	65W	9W	86%
Incandescent	75W	11W	85%
Incandescent	100W	14W	86%

Installation

- Suitable for indoor and outdoor dry, damp and wet locations.
- Suitable for dimmers or in housings controlled by a dimmer. For a list of compatible dimmers, please refer to <https://www.sylvania.com/en-us/products/solid-state-lighting-led/Pages/ULTRADownlight-LED-Retrofit-Kits.aspx>
- The RT4 & RT5/6 Screw-based recessed downlight kits are dimmable down to 10% of full light output with compatible dimmers. The minimum dimming value is based on light output using compatible dimmers and may not be an indication of the kit's full rated capability.
- Not intended for use with emergency light fixtures or exit lights.
- For use in housings that can structurally support a lamp weighing one pound.
- RT5/6 designed to install in standard 5" and 6" insulated and non-insulated housings.
- Standard RTs: Compatible with Leviton SureSlide model 6674, Lutron Maestro C-L model MACL-153P, Lutron Caseta PD-6WCL, Lutron model DVCL-153P, and Leviton model 6672.
- Selectable RTs: Compatible with IOTA inverter series (model IIS-25, IIS-35, IIS-50, IIS-125, IIS-375 and IIS-550), Philips Bodine (model ELI-S-20, ELI-S-100 and ELI-S-250), and LVS model CEPS-350-VOLT.



Specification Data

Catalog #	Type
Project	
Comments	
Prepared by	

Ordering Guide

Standard RT

LED	RTXX	XXX	8	XX	G2
LED	RT = Recessed Downlight RT4 = 4" Downlight RT56 = 5/6" Downlight	Wattage 600 = 600 lumens 675 = 675 lumens	CRI 8 = >80	Color Temperature 27 = 2700K 30 = 3000K 40 = 4000K 50 = 5000K	Generation G2 = Generation 2

Selectable RT

LED	RTXX	120	SC3	XXX	WH	SM
LED	RT = Recessed Downlight RT4 = 4" Downlight RT56 = 5/6" Downlight	Voltage	Selectable CCT	Lumens 500, 650, 725, 900, 1200	Color White	Smooth Reflector

Ordering Information

Item Number	Ordering Abbreviation	Power (W)	Base Type	Replaces	Input Voltage (V)	Average Life (hrs)	CCT	Case Qty	Typical Lumens (lm)	CRI	Power Factor	ENERGY STAR®	T20	T24
Standard RT														
40616	LEDRT4600827G2	7.5	E26 Medium	65W	120	35,000	2700K	4	600	>80	>70	Yes	No	No
40617	LEDRT4600830G2	7.5	E26 Medium	65W	120	35,000	3000K	4	600	>80	>70	Yes	No	No
40618	LEDRT4600840G2	7.5	E26 Medium	65W	120	35,000	4000K	4	600	>80	>70	Yes	No	No
40619	LEDRT4600850G2	7.5	E26 Medium	65W	120	35,000	5000K	4	600	>80	>70	Yes	No	No
62124	LEDRT4600827SM	7.5	E26 Medium	65W	120	35,000	2700K	4	600	>80	>70	Yes	No	No
62125	LEDRT4600830SM	7.5	E26 Medium	65W	120	35,000	3000K	4	600	>80	>70	Yes	No	No
62126	LEDRT4600840SM	7.5	E26 Medium	65W	120	35,000	4000K	4	600	>80	>70	Yes	No	No
62127	LEDRT4600850SM	7.5	E26 Medium	65W	120	35,000	5000K	4	600	>80	>70	Yes	No	No
40620	LEDRT56675827G2	8.5	E26 Medium	65W	120	35,000	2700K	4	675	>80	>70	Yes	No	No
40621	LEDRT56675830G2	8.5	E26 Medium	65W	120	35,000	3000K	4	675	>80	>70	Yes	No	No
62236	LEDRT56675830G2	8.5	E26 Medium	65W	120	35,000	3000K	12	675	>80	>70	Yes	No	No
40622	LEDRT56675840G2	8.5	E26 Medium	65W	120	35,000	4000K	4	675	>80	>70	Yes	No	No
40623	LEDRT56675850G2	8.5	E26 Medium	65W	120	35,000	5000K	4	675	>80	>70	Yes	No	No
62128	LEDRT56675827SM	8.5	E26 Medium	65W	120	35,000	2700K	4	675	>80	>70	Yes	No	No
62129	LEDRT56675830SM	8.5	E26 Medium	65W	120	35,000	3000K	4	675	>80	>70	Yes	No	No
62130	LEDRT56675840SM	8.5	E26 Medium	65W	120	35,000	4000K	4	675	>80	>70	Yes	No	No
62131	LEDRT56675850SM	8.5	E26 Medium	65W	120	35,000	5000K	4	675	>80	>70	Yes	No	No
Selectable RT														
Baffle Reflector														
40636	LEDRT4120SC3650WH	9	E26 Medium	65W	120	50,000	2700K, 3000K, 3500K, 4000K, 5000K	4	650	80	>90	Yes	No	No
40637	LEDRT56120SC3650WH	9	E26 Medium	65W	120	50,000	2700K, 3000K, 3500K, 4000K, 5000K	4	650	80	>90	Yes	No	No
40638	LEDRT56120SC31200WH	14	E26 Medium	100W	120	50,000	2700K, 3000K, 3500K, 4000K, 5000K	4	1200	80	>90	Yes	No	No
Smooth Reflector														
62119	LEDRT4SC3500SM	6	E26 Medium	55W	120	50,000	2700K, 3000K, 3500K, 4000K, 5000K	4	500	>80	>90	Yes	No	No
62120	LEDRT4SC3650SM	8	E26 Medium	65W	120	50,000	2700K, 3000K, 3500K, 4000K, 5000K	4	650	>80	>90	Yes	No	No
62121	LEDRT56SC3725SM	9	E26 Medium	65W	120	50,000	2700K, 3000K, 3500K, 4000K, 5000K	4	725	>80	>90	Yes	No	No
62237	LEDRT56SC3725SM	9	E26 Medium	65W	120	50,000	2700K, 3000K, 3500K, 4000K, 5000K	12	725	>80	>90	Yes	No	No
62122	LEDRT56SC3900SM	11	E26 Medium	75W	120	50,000	2700K, 3000K, 3500K, 4000K, 5000K	4	900	>80	>90	Yes	No	No
62123	LEDRT56SC31200SM	14	E26 Medium	100W	120	50,000	2700K, 3000K, 3500K, 4000K, 5000K	4	1200	>80	>90	Yes	No	No

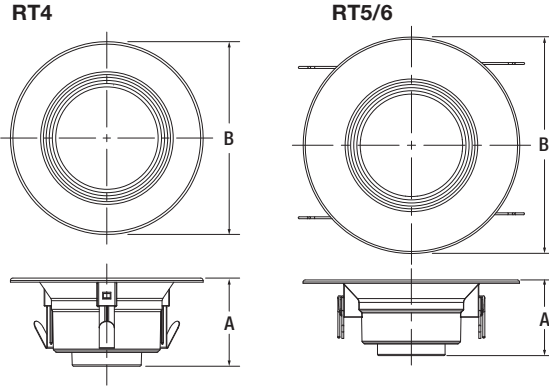
Energy Savings

Basic Product Description	LED Life (hrs)	LED Lumens	Similar Incandescent (hrs)	Incandescent Lumens	Watts Saved	Energy Savings*	LED Life vs Incandescent
LEDRT46008XXG2	35,000	600	2000	640	49.5W	\$90	17.5x
LEDRT566758XXG2	35,000	675	2000	640	48.5W	\$102	17.5x
LEDRT4120SC3650WH	50,000	650	2000	640	56W	\$216	17.5x
LEDRT56120SC3650WH	50,000	650	2000	640	56W	\$216	17.5x
LEDRT56120SC31200WH	50,000	1200	2000	1600	86W	\$330	17.5x
LEDRT4SC3500SM	50,000	500	2000	480	49W	\$270	17.5x
LEDRT4SC3650SM	50,000	650	2000	680	57W	\$313	17.5x
LEDRT56SC3725SM	50,000	725	2000	680	56W	\$308	17.5x
LEDRT56SC3900SM	50,000	900	2000	780	64W	\$352	17.5x
LEDRT56SC31200SM	50,000	1200	2000	780	86W	\$473	17.5x

*Energy savings over life of lamp calculated at \$0.11/kWh

Physical Information

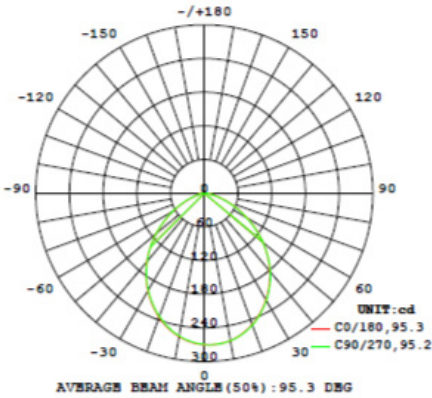
Lamp Description	(A) Height in (mm)	(B) Diameter in (mm)
LEDRT46008XXG2	2.52 (64)	5.51 (140)
LEDRT566758XXG2	2.56 (65)	7.32 (186)
LEDRT4120SC3650WH	2.52 (64)	5.51 (140)
LEDRT56120SC3650WH	2.68 (68)	7.32 (186)
LEDRT56120SC31200WH	2.76 (70)	7.32 (186)
LEDRT4SC3500SM	2.52 (64)	5.51 (140)
EDRT4SC3650SM	2.52 (64)	5.51 (140)
LEDRT56SC3725SM	2.67 (68)	7.32 (186)
LEDRT56SC3900SM	2.67 (68)	7.32 (186)
LEDRT56SC31200SM	2.67 (68)	7.32 (186)



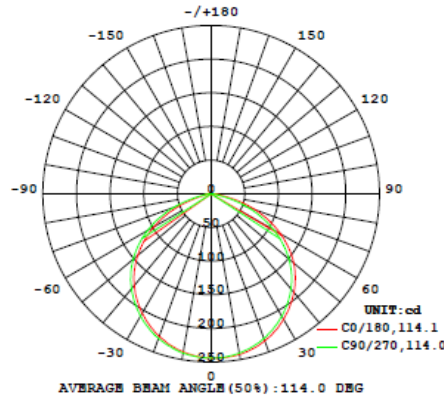
Photometric Data

Standard RTs

RT4 600lm

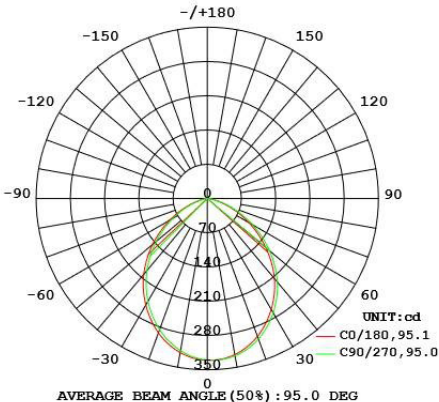


RT5/6 675lm

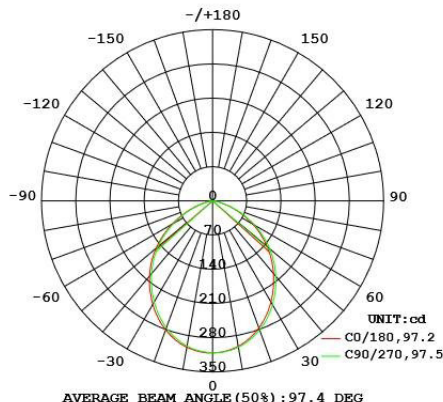


Selectable RTs – Baffle Reflector

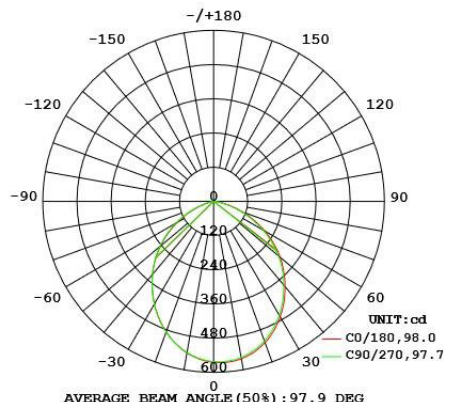
RT4 650lm



RT5/6 650lm



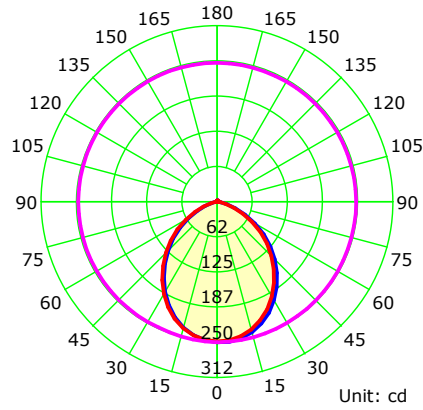
RT5/6 1200lm



Photometric Data (continued)

Selectable RTs – Smooth Reflector

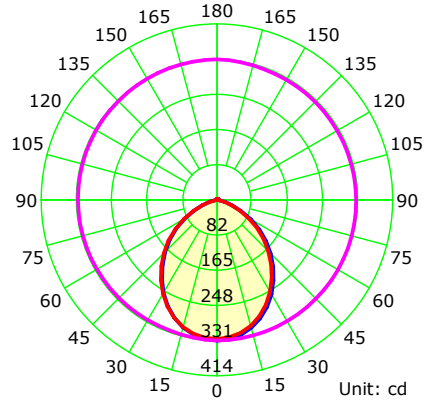
RT4 – 500lm



Average Diffuse Angle(50%): 94.2°

— C0-C180 — C90-C270 — G5

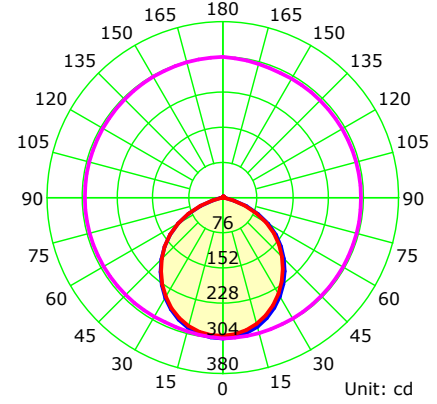
RT4 – 650lm



Average Diffuse Angle(50%): 93.7°

— C0-C180 — C90-C270 — G0

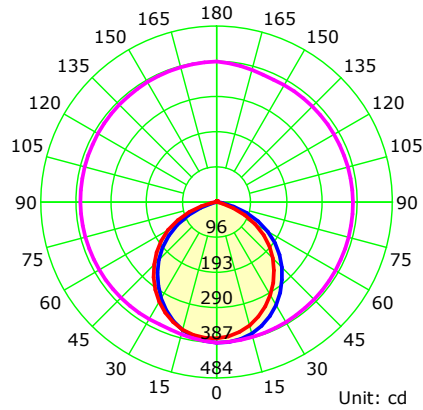
RT5/6 – 725lm



Average Diffuse Angle(50%): 105.1°

— C0-C180 — C90-C270 — G0

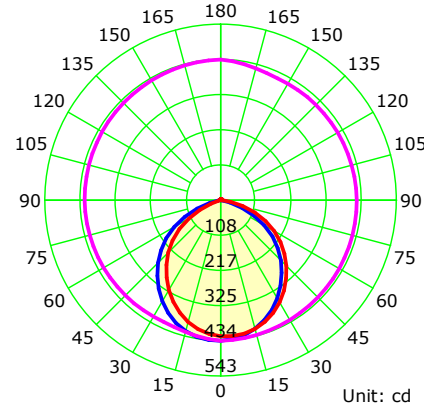
RT5/6 – 900lm



Average Diffuse Angle(50%): 105.5°

— C0-C180 — C90-C270 — G0

RT5/6 – 1200lm



Average Diffuse Angle(50%): 105.1°

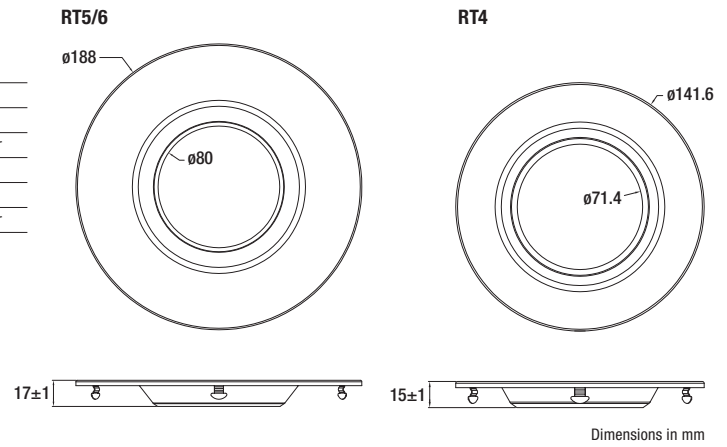
— C0-C180 — C90-C270 — G0

Accessories

RETROFIT TRIM (For non-Gimbal only, can be used with RT4 and RT5/6)

Item

Number	Description	
61713	RT4/TRIM/BLK/G2	One tone: Black Trim & Black Reflector
61714	RT4/TRIM/ORBZ/G2	One tone: Bronze Trim & Bronze Reflector
61715	RT4/TRIM/SN/G2	One tone: Satin Nickel Trim & Satin Nickel Reflector
61716	RT5/6/TRIM/BLK/G2	One tone: Black Trim & Black Reflector
61717	RT5/6/TRIM/ORBZ/G2	One tone: Bronze Trim & Bronze Reflector
61718	RT5/6/TRIM/SN/G2	One tone: Satin Nickel Trim & Satin Nickel Reflector



LEDVANCE LLC
 200 Ballardvale Street
 Wilmington, MA 01887 USA
 Phone 1-800-LIGHTBULB (1-800-544-4828)
 www.ledvanceUS.com

SYLVANIA and LEDVANCE are registered trademarks.
 All other trademarks are those of their respective owners.
 Licensee of product trademark SYLVANIA in general lighting.
 Specifications subject to change without notice.

[/sylvania](#) [/sylvania](#)

