

SYLVANIA Luminaires

TruWave® Technology Slim Selectable Downlight

Description

The SYLVANIA TruWave Slim Selectable Downlight is a 120VAC, phase dimmable, integrated driver LED Downlight with three installation options in one versatile package. Users may choose between direct installation, requiring no housing or can, by direct hardwire installation, or a medium screw base (E26) adapter which allows for direct retrofit of existing recessed downlights or directly wired to an existing junction box. It is offered in 4", 6" and 8" versions to suit various ceiling heights and applications.

Benefits and Features

- 5 CCT switch selectable - 2700K/3000K/3500K/4000K/5000K
- IC Rated for direct insulation contact
- Wet Rated
- Offered in three sizes: 4"/10W, 6"/12W, 8"/18W
- TruWave Technology
 - 50% less intense blue light
 - Fall Asleep Easier
 - Reduce Headaches & Eye Strain
 - Helps Boost Mood & Productivity
- Even light distribution
- High CRI >90
- Energy savings up to 86%

Electrical

- 120VAC
- Power Factor >.9
- Phase-cut dimmable with compatible dimmers

Rated Life

- 50,000 hours (L₇₀)

Warranty

- 5-year
- NLB Trusted Warranty Program

Ambient Operating Range

- -13°F to + 113°F (-25°C to + 45°C)



Wattage Comparison

Traditional Source	Traditional System Wattage	LED System Wattage	Energy Savings
Incandescent	65	10	86%
Incandescent	75	12	84%
Incandescent	100	18	83%

Certifications and Listings

- cETLus
- RoHS
- FCC
- ENERGY STAR®
- T24

Installation

- Hardwire Pigtail
- E26 Medium Screw-based Adapter
- Spring Clips (Canless) and Torsion Springs (Recessed Can)
- Metal Junction Box



Catalog #	Type
Project	
Comments	
Prepared by	

Ordering Guide

LED	SLMDNL	XX	XXXX	S	T	9	SC3	TW
LED	Slim Downlight	Diameter 4R = 4 inches 6R = 6 inches 8R = 8 inches	Lumens 550 = 550lm 800 = 800lm 1200 = 1200lm	S = Single Voltage 120	Dimming T = (Triac) Phase-cut dimmable	CRI 9 = >90	Color Temperature Selectable 2700/3000/3500/ 4000/5000K	TW = TruWave® Technology

Ordering Information

Item Number	Ordering Abbreviation	Power (W)	Base Type	Replaces	Input Voltage	Average Rated Life (hrs)	CCT	Lumens (lm)	CRI	LPW	Dimming	Case Qty	ENERGY STAR®
62883	LEDSLMDNL4R550ST9SC3TW	10	E26, Hardwire	65W	120V	50,000	2700/3000/3500/4000/5000K	550	>90	55	Phase-Cut	4	Yes
62884	LEDSLMDNL6R800ST9SC3TW	12	E26, Hardwire	75W	120V	50,000	2700/3000/3500/4000/5000K	800	>90	67	Phase-Cut	4	Yes
62885	LEDSLMDNL8R1200ST9SC3TW	18	E26, Hardwire	100W	120V	50,000	2700/3000/3500/4000/5000K	1,200	>90	67	Phase-Cut	4	Yes

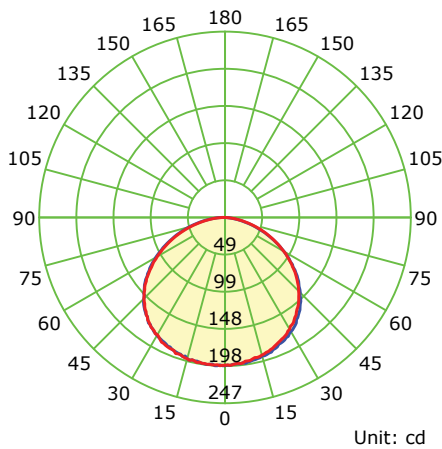
Compatible Phase-Cut Dimmers

Make	Leading or Trailing Edge	Model
Leviton SureSlide	L	6674
Lutron Maestro C-L	L	MACL-153M
Lutron Diva	L	DVCL-153P
Lutron Caseta	L	PD-6WCL
Legrand Radiant	L	RHCL453P
Lutron Diva	T	DVELV-300P
Lutron Maestro	T	MAELV-600

Photometric Information

4 inch

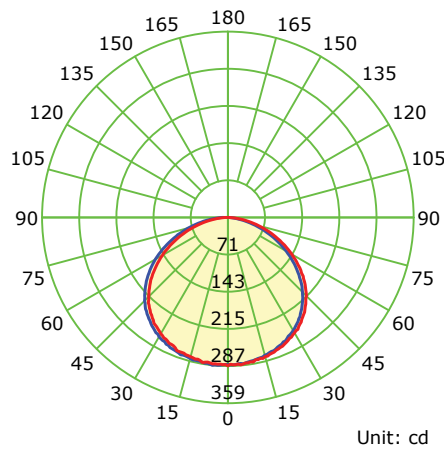
Luminous Intensity Distribution Curve



— C0-C180 — C90-C270

6 inch

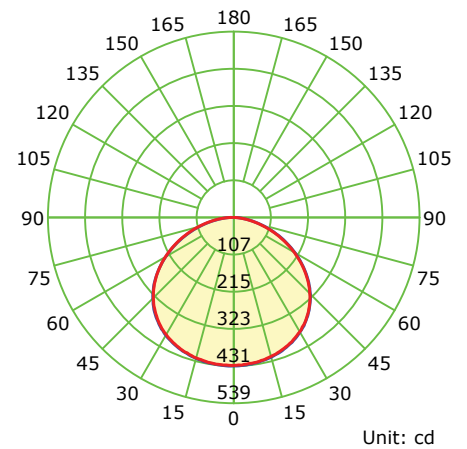
Luminous Intensity Distribution Curve



— C0-C180 — C90-C270

8 inch

Luminous Intensity Distribution Curve

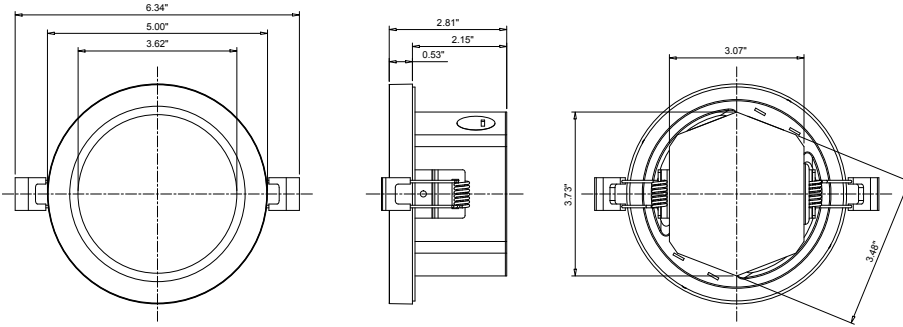


— C0-C180 — C90-C270

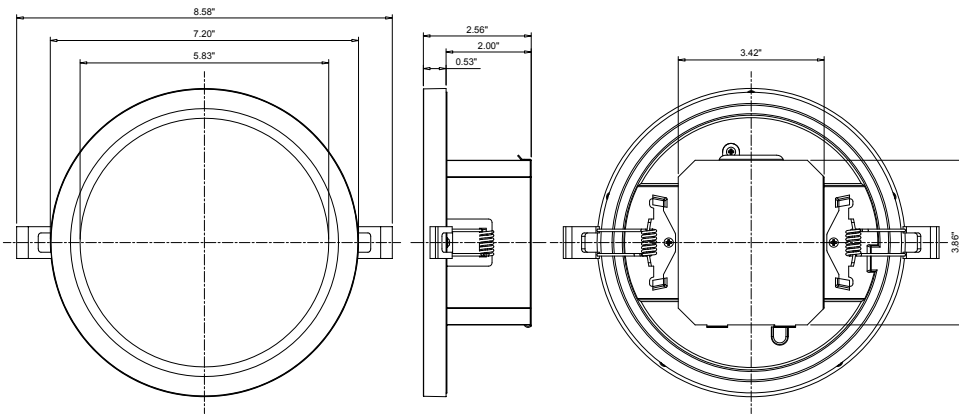
Physical Information

Luminaire Description	(A) Height Inches (mm)	(B) Diameter Inches (mm)	Weight (g)
LEDSLMDNL4R550ST9SC3TW	2.81 (71)	5 (127)	460
LEDSLMDNL6R800ST9SC3TW	2.56 (183)	7.20 (183)	790
LEDSLMDNL8R1200ST9SC3TW	2.56 (183)	8.80 (224)	950

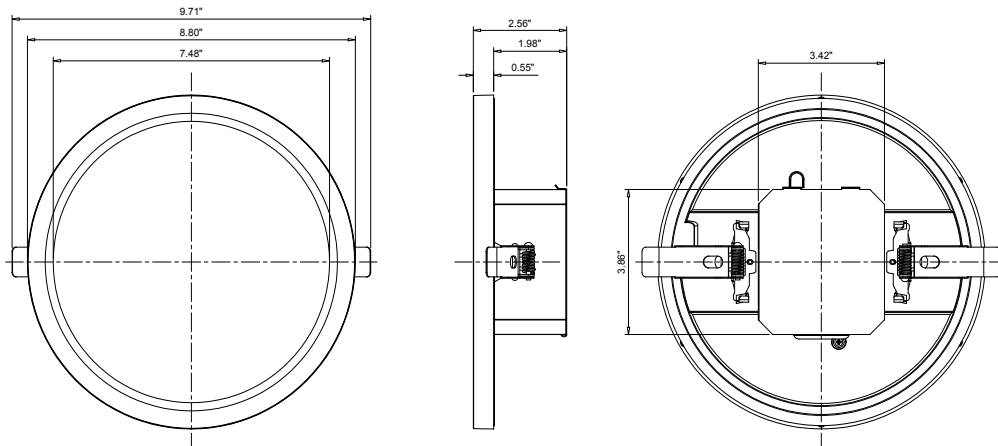
4 inch



6 inch



8 inch



Additional Specifications

- Suitable for indoor and outdoor, dry, and wet applications.
- Not intended for use with emergency light fixtures or exit lights.
- For use in housings that can structurally support a lamp weighing one pound.

LEDVANCE LLC
181 Ballardvale Street, Suite 203
Wilmington, MA 01887 USA
Phone 1-800-LIGHTBULB (1-800-544-4828)
www.ledvanceUS.com

SYLVANIA and LEDVANCE are registered trademarks.
All other trademarks are those of their respective owners.
Licensee of product trademark SYLVANIA in general lighting.
Specifications subject to change without notice.



SCAN TO FOLLOW US
ON SOCIAL MEDIA

