

LEDVANCE LUMINAIRES

DUAL SELECTABLE FLOOD LIGHT

LEDVANCE LUMINAIRE SPECIFICATION DATA

Catalog #	Comments
Project	
Type	
Prepared by	

PERFORMANCE CLASS™



APPLICATION

Perfect for illuminating buildings, facades, signs, gardens and other outdoor areas. The LEDVANCE Performance Class Dual Selectable Floodlight offers three lumen packages, three color temperatures, two mounting options included in the box and an integrated photocell. All included in the new exclusive LEDVANCE design.

BENEFITS & FEATURES

- Up to 150 LPW
- Selectable color temperature: 3000K, 4000K, 5000K
- CRI>80
- Selectable wattage and lumens:
 - 15/25/30W | 2,250/3,700/4,500 lm
 - 35/45/60W | 5,250/6,750/9,000 lm
 - 80/100/140W | 12,000/15,000/21,000 lm
 - 200/250/300W | 30,000/37,500/45,000 lm
 - 350/400/470W | 52,500/60,000/70,500 lm
- DLC 5.1 Premium Listing assures high energy efficiency and qualifies this product for utility rebates
- NEMA Type 7H x 7V wide flood distribution
- Integrated photocell (30-140W) and NEMA 3-pin receptacle + shorting cap (300-470W)



ELECTRICAL

- 120-347 VAC (277-480V optional for 300W and 470W versions)
- Power Factor > 0.9
- THD < 20%
- Dimmable 0-10V
- 6kV Surge

RATED LIFE

- 100,000 hours (L₇₀) @ 25°C

OPERATING TEMPERATURE

- -40°F to +122°F (-40°C to +50°C)

CERTIFICATIONS & LISTINGS

- cULus listed to UL1598 standards
- RoHs
- FCC
- IP65, wet location
- DLC 5.1 Premium

WARRANTY

- 5 year
- NLB Trusted Warranty Program

INSTALLATION

- Trunion and ½" IPS included for 30 and 60W
- Trunion and slip fitter included for 140W, 300W, and 470W
- Yoke mounting sold separately

WATTAGE COMPARISON

LED SOURCE WATTAGE/LUMENS	REPLACES TRADITIONAL SOURCE	ENERGY SAVINGS
30W / 4,500lm	HPS/MH	up to 175W
60W / 9,000lm		up to 350W
140W / 21,000lm		up to 750W
300W / 45,000lm		up to 1000W
470W / 70,500lm		up to 1500W

ORDERING GUIDE

FLOODLT	2A	SXXX	XXX	D	8	SCX	BZ	X
PRODUCT NAME	GENERATION	WATTAGE	VOLTAGE	DIMMING	CRI	COLOR TEMPERATURE	COLOR/FINISH	OPTIONS
FLOODLT = Flood Light	2A = Generation 2A	S030 = 15/25/30W S060 = 35/45/60W S140 = 80/100/140W S300 = 200/250/300W S470 = 350/400/470W	UNH = 120-347V HUV = 277-480V	D = 0-10V Dimming	80 = >80 CRI	SC2 = 3000/4000/5000K	BZ = Bronze	P = Photocell

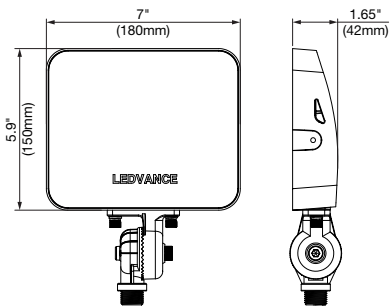
ORDERING INFORMATION

ITEM #	ORDERING ABBREVIATION	WATTAGE (W)	INPUT VOLTAGE (V)	DIM. (V)	CRI	COLOR TEMP (CCT)	DISTR.	TOTAL LUMENS @ 4000K (LM)	DLC	LPW	PHOTOCELL	BUG RATING
63860	FLOODLT2AS030UNHD8SC2BZP	15/25/30	120-347	0-10	>80	3000/4000/5000	7H x 7V Wide Flood	2250/3700/4500	5.1 Prem	Up to 150	Integrated Photocell	B2-U0-G1
63861	FLOODLT2AS060UNHD8SC2BZP	35/45/60	120-347	0-10	>80	3000/4000/5000	7H x 7V Wide Flood	5250/6750/9000	5.1 Prem	Up to 150	Integrated Photocell	B3-U0-G1
63862	FLOODLT2AS140UNHD8SC2BZP	80/100/140	120-347	0-10	>80	3000/4000/5000	7H x 7V Wide Flood	12000/15000/21000	5.1 Prem	Up to 150	Integrated Photocell	B4-U0-G1
63863	FLOODLT2AS300UNHD8SC2BZP	200/250/300	120-347	0-10	>80	3000/4000/5000	7H x 7V Wide Flood	30000/37500/45000	5.1 Prem	Up to 150	3-Pin Receptacle for Photocell	B5-U0-G2
63865	FLOODLT2AS300HUV8SC2BZP	200/250/300	277-480	0-10	>80	3000/4000/5000	7H x 7V Wide Flood	30000/37500/45000	5.1 Prem	Up to 150	3-Pin Receptacle for Photocell	B5-U0-G2
63864	FLOODLT2AS470UNHD8SC2BZP	350/400/470	120-347	0-10	>80	3000/4000/5000	7H x 7V Wide Flood	52500/60000/70500	5.1 Prem	Up to 150	3-Pin Receptacle for Photocell	B5-U0-G3
63866	FLOODLT2AS470HUV8SC2BZP	350/400/470	277-480	0-10	>80	3000/4000/5000	7H x 7V Wide Flood	52500/60000/70500	5.1 Prem	Up to 150	3-Pin Receptacle for Photocell	B5-U0-G3

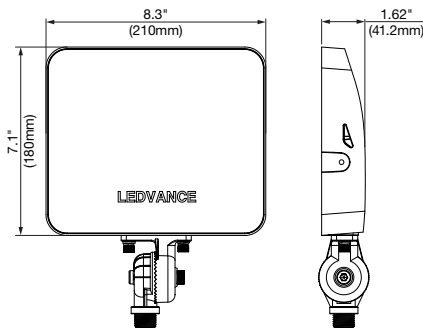
PHYSICAL INFORMATION

LUMINAIRE DESCRIPTION	LENGTH IN (MM)	WIDTH IN (MM)	HEIGHT IN (MM)	WEIGHT LB (KG)	CORD LENGTH IN (MM)	EPA (FT ²)
30W	7 (180)	1.65 (42)	5.9 (150)	2.43 (1.1)	24 (610)	0.25
60W	8.3 (210)	1.62 (41.2)	7.1 (180)	2.9 (1.32)	24 (610)	0.35
140W	10.95 (278)	2.28 (58)	8.82 (224)	7.1 (3.2)	40 (1016)	0.66
300W	16.54 (420)	2.91 (74)	14.17 (360)	16.1 (7.3)	40 (1016)	1.6
470W	22.1 (560)	2.95 (75)	17.72 (450)	25.8 (11.7)	40 (1016)	2.69

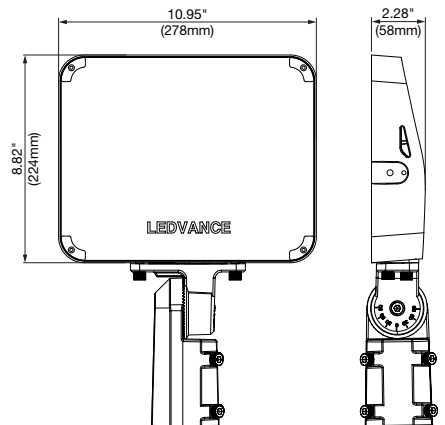
FLOOD LIGHT WITH KUNCKLE-30W



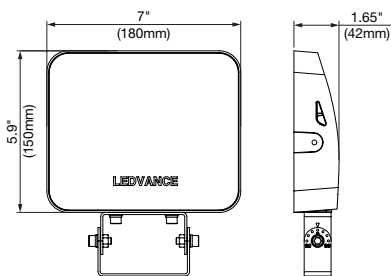
FLOOD LIGHT WITH KUNCKLE-60W



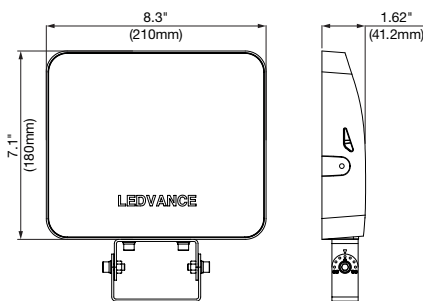
FLOOD LIGHT WITH SLIP FITTER-140W



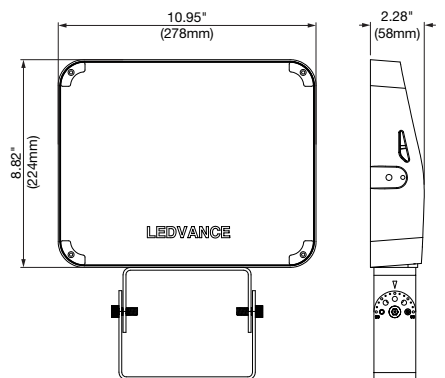
30W-TRUNNION



60W-TRUNNION

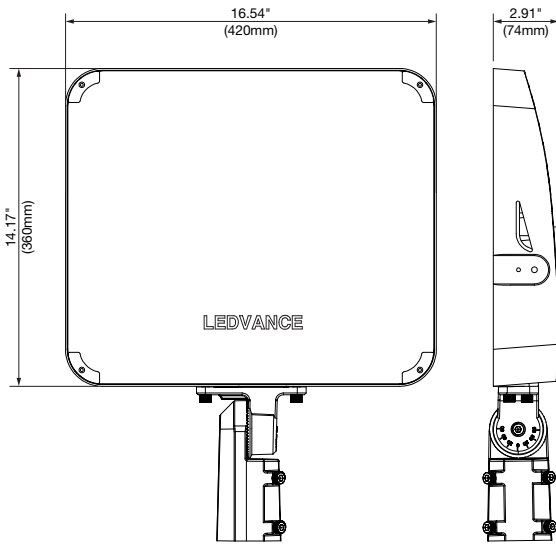


140W-TRUNNION

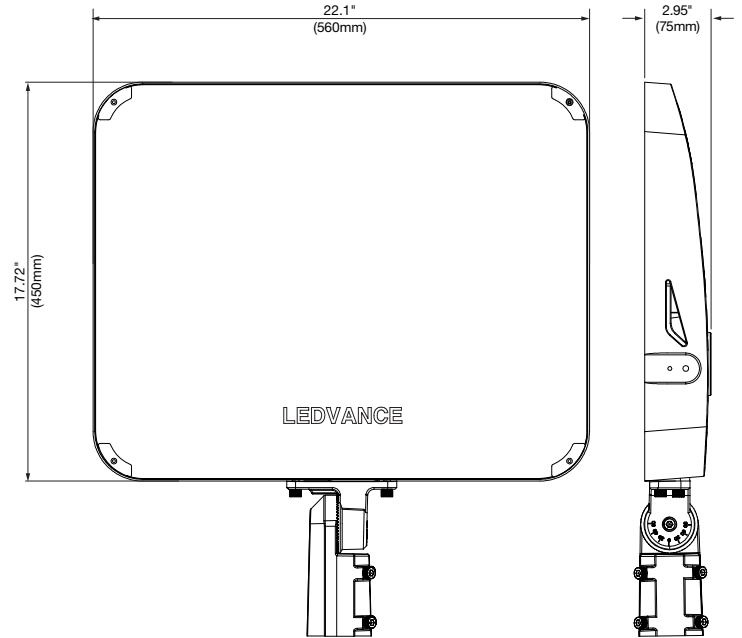


PHYSICAL INFORMATION (continued)

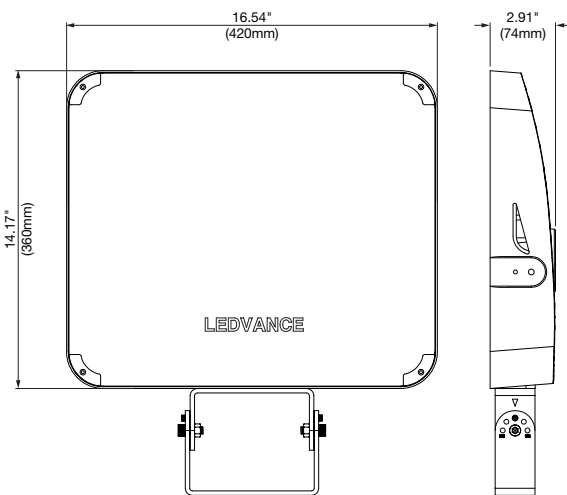
**FLOOD LIGHT WITH
SLIP FITTER-300W**



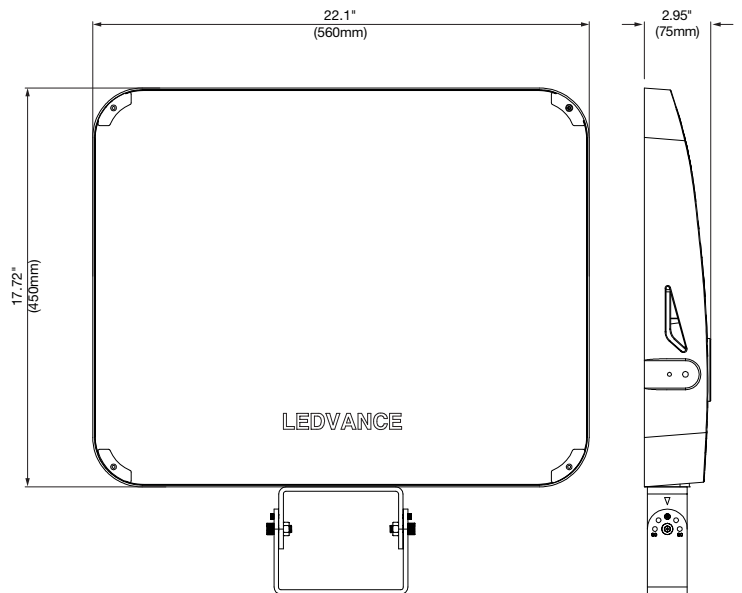
**FLOOD LIGHT WITH
SLIP FITTER-470W**



300W-TRUNNION



470W-TRUNNION



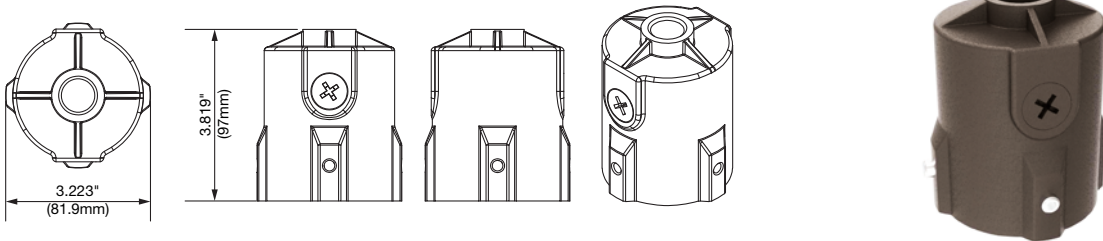
MOUNTING BRACKETS

- ½" IPS and Trunnion included with 30W and 60W
- Slip fitter and Trunnion included with 140W, 300W, 470W
- Yoke mount sold separately for all wattages

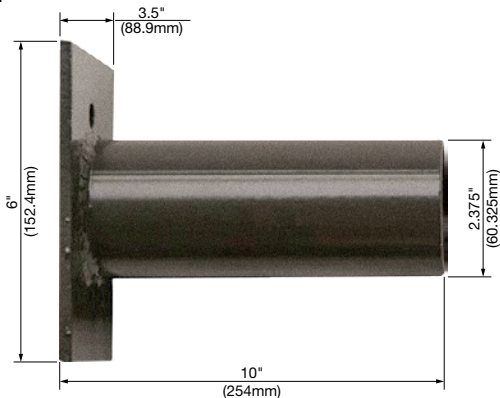
ACCESSORIES

ITEM #	ORDERING ABBREVIATION	ITEM DESCRIPTION
Photocells		
61393	AREAFLDXANEMAPHOTOCELLUNV	Area/Flood Nema photocell 120-277V
61394	AREAFLDXANEMAPHOTOCELL347	Area/Flood Nema photocell 347V
61395	AREAFLDXANEMAPHOTOCELL480	Area/Flood Nema photocell 480V
Yoke Mounts		
65838	FLOODLT2AYOKE30WBZ	Yoke mount, 30W, bronze
65839	FLOODLT2AYOKE60WBZ	Yoke mount, 60W, bronze
65840	FLOODLT2AYOKE140WBZ	Yoke mount, 140W, bronze
65841	FLOODLT2AYOKE300WBZ	Yoke mount, 300W, bronze
65842	FLOODLT2AYOKE470WBZ	Yoke mount, 470W, bronze
Wall Mounting Brackets		
61174	BRACKET1AWALLHORIZTENONBZ	Horizontal Wall Mounting Bracket, Bronze
61175	BRACKET1AWALL90DEGTENONBZ	90° Wall Mounting Bracket, Bronze
Tenon Adapter For Low Wattage Flood Lights		
60688	TENONADAPTER1ABZ	Tenon adapter, Bronze

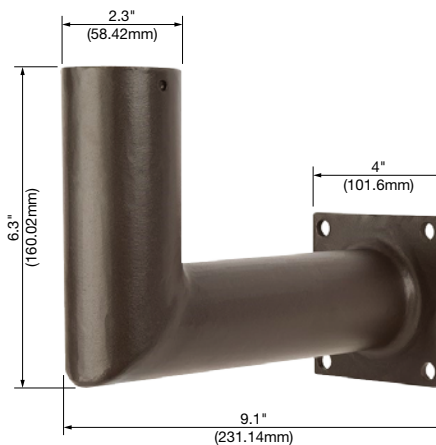
TENON ADAPTER FOR LOW WATTAGE FLOODLIGHTS (60688)



WALL BRACKET 61174

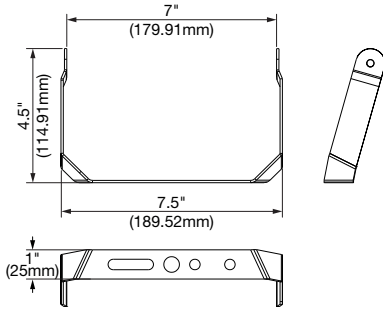


61175

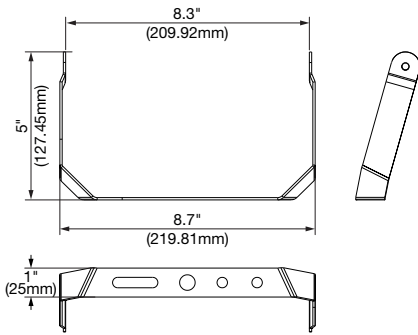


ACCESSORIES (continued)

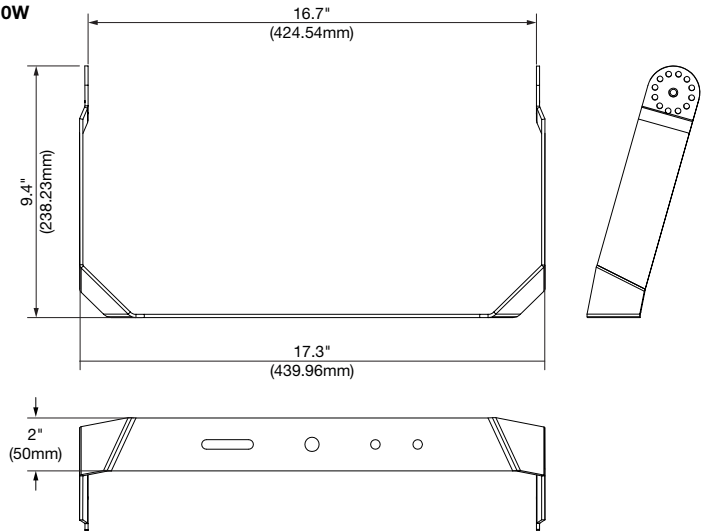
YOKE MOUNT 30W



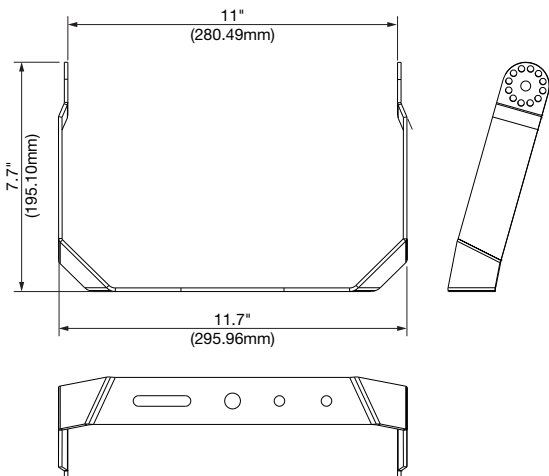
60W



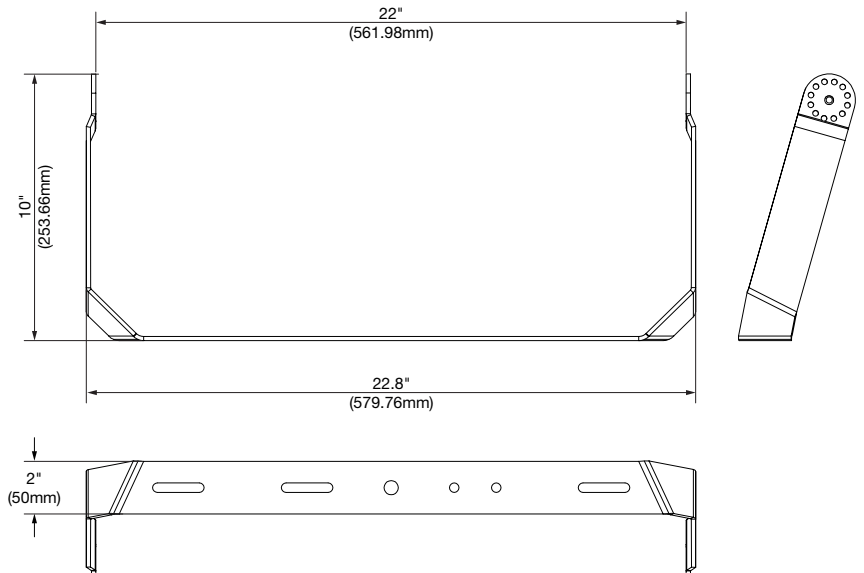
300W



140W



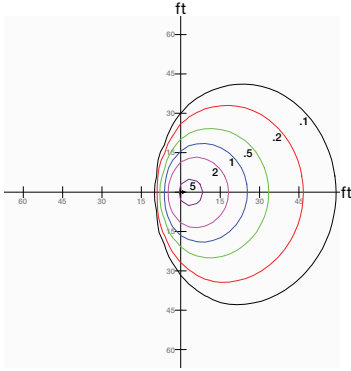
470W



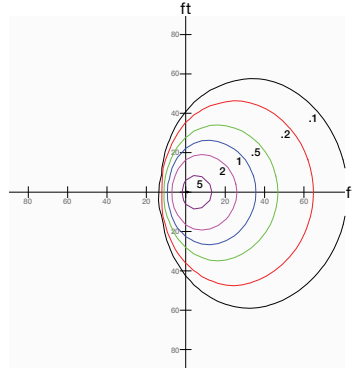
PHOTOMETRIC INFORMATION

HORIZONTAL ISO FOOT-CANDLE PLOT

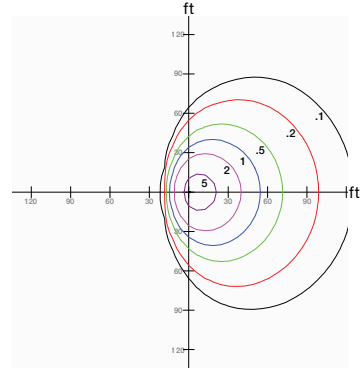
30W luminaire, mounted at 15' height, tilted 45°



60W luminaire, mounted at 20' height, tilted 45°

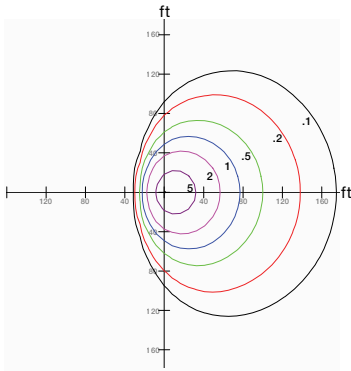


140W luminaire, mounted at 30' height, tilted 45°

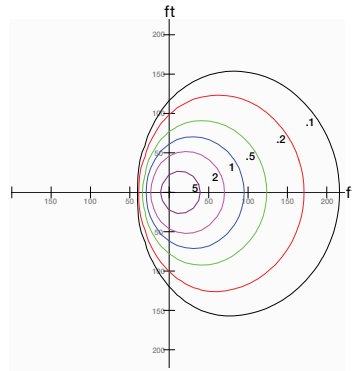


30W	MOUNTING HEIGHT (FT)	10	12	15	18	20	22
	MULTIPLIER	2.25	1.56	1	0.69	0.56	0.46
60W	MOUNTING HEIGHT (FT)	12	15	18	20	22	25
	MULTIPLIER	2.78	1.78	1.23	1	0.83	0.64
140W	MOUNTING HEIGHT (FT)	20	22	25	30	35	40
	MULTIPLIER	2.25	1.86	1.44	1	0.73	0.56

300W luminaire, mounted at 40' height, tilted 45°



470W luminaire, mounted at 50' height, tilted 45°



300W	MOUNTING HEIGHT (FT)	25	30	35	40	45	50
	MULTIPLIER	2.56	1.78	1.31	1	0.79	0.64
470W	MOUNTING HEIGHT (FT)	35	40	45	50	55	60
	MULTIPLIER	2.04	1.56	1.23	1	0.83	0.69

- Multiply the footcandle levels in the diagram according to the desired installation height
- Each tick on the diagram represents a multiple of the mounting height from the fixture



LEDVANCE LLC
181 Ballardvale Street, Suite 203
Wilmington, MA 01887 USA
Phone: 1-800-LIGHTBULB (1-800-544-4828)
www.ledvanceUS.com

LEDVANCE is a registered trademark.
All other trademarks are those of their respective owners.
Specifications subject to change without notice.



SCAN TO FOLLOW US
ON SOCIAL MEDIA