



# Contractor Series LED RT4 and RT5/6 Recessed Downlight Kit

11,000 Hour Life



The Contractor Series RT4 and RT5/6 is a 4", 5" and 6" compatible LED recessed downlight kit creating high performing white light and is optimized for new construction and retrofit applications. Installation is done quickly and easily in most standard 4", 5" or 6" Insulated Ceiling (IC) housings, Airtight (AT) housings and non-IC housings.

### Dimming

The Contractor Series LED RT4 and RT5/6 recessed downlight kits are dimmable down to 25% of full light output with compatible dimmers. The minimum dimming value is based on light output using compatible dimmers, and may not be an indication of the kit's full rated capability.

### Application Information

#### Applications

- Healthcare
- Hospitality
- Office
- Property Management
- Residential
- Retail

### Key Features & Benefits

- Lumen package:
  - RT4- 550 lumens
  - RT5/6- 625 lumens
- Replacement for 50W and 65W incandescent lamps
- RT4 fits into most 4" recessed downlight fixtures
- RT5/6 fits into most 5" or 6" recessed downlight fixtures
- CCT: 2700K/3000K/4000K/5000K
- CRI: 80
- Beam angle: 80°
- 120V input voltage
- Dimmable down to 25%
- 11,000 hour life (L<sub>70</sub>)
- Suitable for dry, damp and wet locations
- Lasts up to 5.5 times longer than incandescent lamps
- No warm-up time, instant-on with full light output and stable lamp to lamp color
- Reduces energy consumption up to 86%

### Quality of Light

The Contractor Series LED RT provides good color rendering (80), and a selection of color temperatures (2700K, 3000K, 4000K and 5000K). LEDs have virtually no UV or infrared radiation to damage or fade furnishings, art or other objects.

### Optical Design

Optical design efficiently directs light output in an 80° beam angle with low glare.

### Accessories

Assorted color retrofit trims, retrofit band.

### Product Offering

Lumen Output	Wattage	Color Temperature	CRI
550	8	2700K, 3000K, 4000K, 5000K	80+
625	9	2700K, 3000K, 4000K, 5000K	80+

### Specifications and Certifications



## Specification Data

Catalog #	Type
Project	
Comments	
Prepared by	

## Specifications

### Energy Data

**Minimum Starting Temp:** -40°F (-40°C)  
**EMI/RFI:** FCC Title 47 CFR, Part 15, Class B  
**Sound Rating:** <24dBA  
**Input Voltage:** 120V  
**Power Factor:** >0.90  
**Input Frequency:** 60Hz

**THD:** <20%

**Input Current:** 0.08A & 0.1A  
**Maximum Ambient Operating Temperature (Insulated Ceiling or Non-Insulated Ceiling):** 104°F (40°C)

### Lighting Data

#### Color

**Correlated Color Temperature (CCT):** 2700K, 3000K, 4000K, 5000K  
**Color Rendering Index (CRI):** 80

## Ordering Information

Item Number	Ordering Abbreviation	Recessed Housing	Replaced Incandescent Wattage	Nominal Wattage (W)	Delivered Light Output (lm)	Color Temperature	CRI	Avg. Rated Life (hrs)*
70520	LED/RT4/550/827	4 in	50W	8	550	2700K	80	11,000
70521	LED/RT4/550/830	4 in	50W	8	550	3000K	80	11,000
74181	LED/RT4/550/840	4 in	50W	8	550	4000K	80	11,000
74182	LED/RT4/550/850	4 in	50W	8	550	5000K	80	11,000
74404	LED/RT5/6/625/827	5 in and 6 in	65W	9	625	2700K	80	11,000
74405	LED/RT5/6/625/830	5 in and 6 in	65W	9	625	3000K	80	11,000
74406	LED/RT5/6/625/840	5 in and 6 in	65W	9	625	4000K	80	11,000
74407	LED/RT5/6/625/850	5 in and 6 in	65W	9	625	5000K	80	11,000

\* LED lamp life is defined as the number of hours when 50% of an average group of identical lamps reached 70% of its initial lumens.

## Ordering Guide

<b>LED</b>	<b>/</b>	<b>RT5/6</b>	<b>/</b>	<b>625</b>	<b>/</b>	<b>8</b>	<b>30</b>
LED		Product Name: 5/6=fits 5" and 6" housing		Light Output 625 lm		CRI >80	Color Temperature 3000K

## Energy Savings

Basic Product Description	LED Lumens	LED Life	Traditional Lamp Types	Lumens	Life	Saved With RT6	Energy Savings*	Life Benefit
RT5/6 9W	625	11,000	Incandescent 65WBR30	640	2000	56	\$67	5.5X

\* Based on \$0.11/kWh over 11,000 hours life.

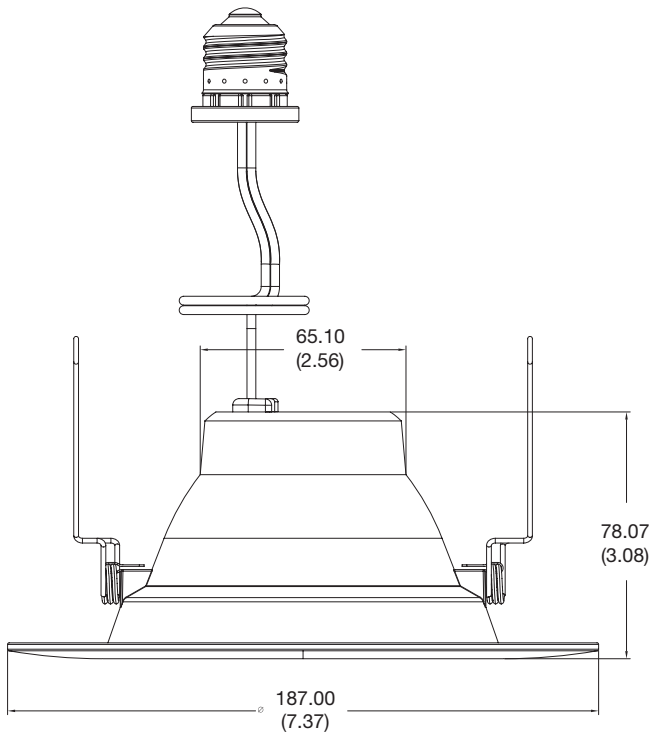
## Application Information

### Application Notes

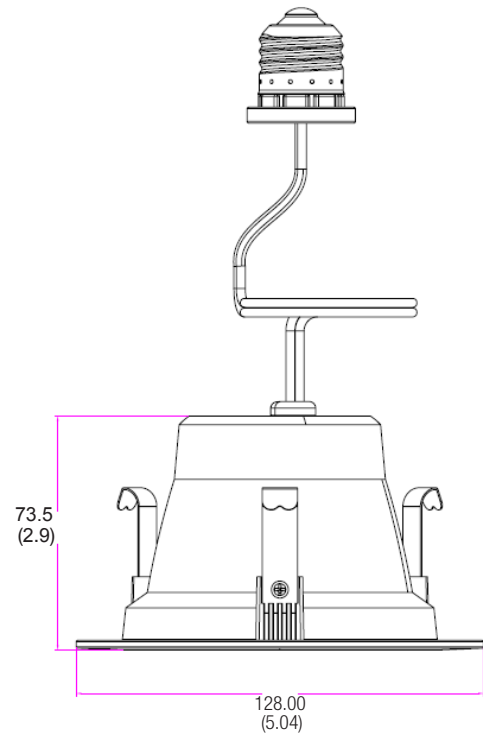
- Operating temperature range between -40°F and 104°F (-40°C and 40°C).
- Suitable for indoor and outdoor dry, damp and wet locations
- Suitable for dimmers or in housings controlled by a dimmer. For a list of compatible dimmers, please refer to [www.sylvania.com](http://www.sylvania.com).
- Not intended for use with emergency light fixtures or exit lights.
- For use in housings that can structurally support a lamp weighing one pound.
- RT5/6 designed to install in standard 5" and 6" insulated and non-insulated housings. For a list of compatible housings, please refer to [www.sylvania.com](http://www.sylvania.com).
- For detailed warranty information, please refer to [www.sylvania.com](http://www.sylvania.com).

## Assembly Diagram

Contractor RT5/6



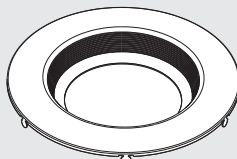
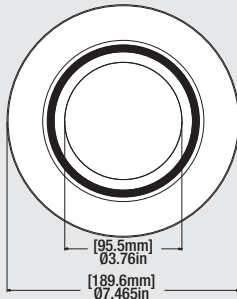
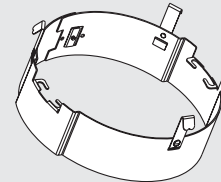
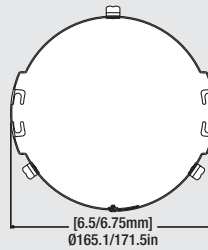
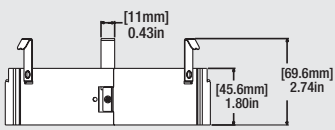
Contractor RT4



## Accessories

### Retrofit Band (For 6" housing models Progress Lighting P87-AT and Lightolier 1104IC)

70663 RT6/RETROFITBAND (sold separately)



### RT5/6 Retrofit Trim (For non-Gimbal only, can be used with RT5/6 and RT6)

75095 RT/5/6/TRIM/DKBZ

75097 RT/5/6/TRIM/BLK

75098 RT/5/6/TRIM/ORBZ

75099 RT/5/6/TRIM/SN



75095



75097

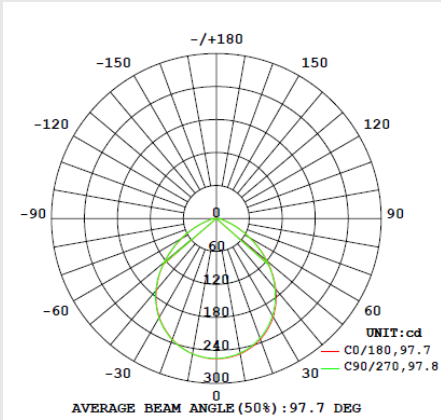


75099

**Photometric Information**

**Contractor RT4**

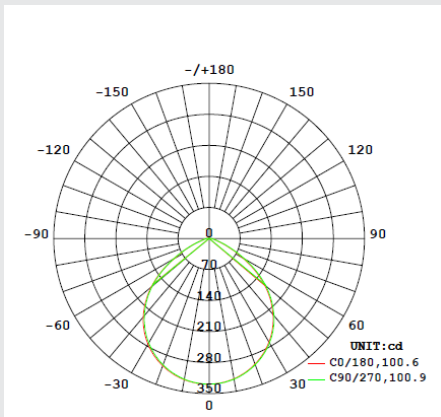
**Polar Chart**



	Illuminance		Beam Diameter
	Edge	Center	
2 ft	8.9 fc	67.0 fc	4.8 ft
4 ft	2.2 fc	16.8 fc	9.5 ft
6 ft	1.0 fc	7.4 fc	14.3 ft
8 ft	0.6 fc	4.2 fc	19.1 ft
10 ft	0.4 fc	2.7 fc	23.8 ft
12 ft	0.2 fc	1.9 fc	28.6 ft

**Contractor RT5/6**

**Polar Chart**



	Illuminance		Beam Diameter
	Edge	Center	
2 ft	16.6 fc	74.0 fc	3.4 ft
4 ft	4.2 fc	18.5 fc	6.7 ft
6 ft	1.8 fc	8.2 fc	10.1 ft
8 ft	1.0 fc	4.6 fc	13.4 ft
10 ft	0.7 fc	3.0 fc	16.8 ft
12 ft	0.5 fc	2.1 fc	20.1 ft

OSRAM SYLVANIA Inc.  
 200 Ballardvale Street  
 Wilmington, MA 01887 USA  
 Phone 1-800-LIGHTBULB (1-800-544-4828)  
 www.sylvania.com

SYLVANIA is a registered trademark of OSRAM SYLVANIA Inc.  
 ENERGY STAR is a registered trademark of the U.S. Government.  
 Specifications subject to change without notice.

[/sylvania](#) [/sylvania](#)

