

SYLVANIA Luminaires

Downlight LightSHIELD™

Application

The SYLVANIA Downlight LightSHIELD is an everyday light with germ fighting benefits. This retrofit kit fights germs and odor causing bacteria while promoting continuous purification thanks to the integrated LightSHIELD technology which is harmless to humans and animals. This fixture is designed to be a direct replacement of incandescent reflectors. It includes the E26 socket screw-base for easy installation, as well as a switch in the back to allow for up to 5 different color temperatures in one product.

Benefits and Features

- Efficient germicidal technology
- 5 color selectable
- 2700K, 3000K, 3500K, 4000K or 5000K SCCT color temperatures
- Wet rated (indoor)
- Kills germs and odors
- Harmless to humans and animals
- Environmentally safe
- Offered in 9 watts
- Uniform, glare free illumination distribution
- Up to 78 LPW
- CRI >90
- Energy savings up to 88%

Electrical

- 120V_{AC}
- Power Factor >0.9
- Phase-cut dimmable

Rated Life

- 50,000 hours (L₇₀)

Warranty

- 5-year
- NLB Trusted Warranty Program

Operating Temperature

- -4°F to +104°F (-20°C to +40°C)

Item #	_____
Type	_____
Project	_____
Notes	_____

Date	_____



Wattage Comparison

Traditional Source	Traditional System Wattage	LED System Wattage	Energy Savings
Incandescent	65	9	88%

Certifications and Listings

- cETLus
- RoHS
- FCC
- ENERGY STAR®
- T20
- T24

Installation

- Screw base



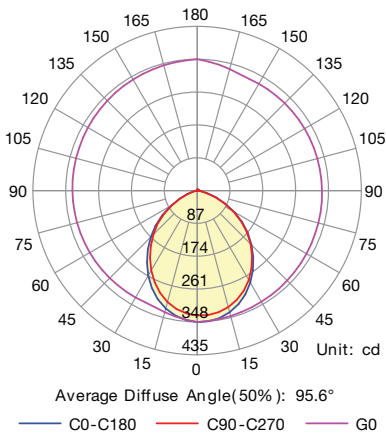
Ordering Guide

LED	RT	56	SC3	700	LS
Product Name LED = LED Luminaire	Product Type Recessed Downlight	Lumens 56 = 5/6" downlight	Color Temp SC3 = selectable 2700K, 3000K, 3500K, 4000K or 5000K	Lumens 700 = 700lm	Product Type LS = LightSHIELD™

Ordering Information

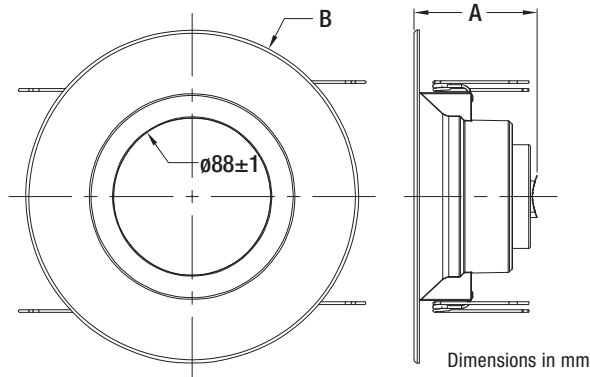
Item Number	Ordering Abbreviation	Power (W)	Base Type	Replaces	Input Voltage (V)	Avg. Life (hrs)	CCT	Typical Lumens (lm)	CRI	Power Factor	Bulb Finish	Case Qty	ENERGY STAR®	T20	T24
75748	LEDRT56SC3700LS	9	Screw Base	65W	120	50,000	2700K/3000K/ 3500K/4000K/ 5000K	700	>90	>0.9	Frosted	4	Yes	Yes	Yes

Photometric Data



Physical Information

Lamp Description	(A) Height in (mm)	(B) Diameter in (mm)
LEDRT56	2.76 (70.1)	7.28 (184.9)



LEDVANCE LLC
 200 Ballardvale Street
 Wilmington, MA 01887 USA
 Phone 1-800-LIGHTBULB (1-800-544-4828)
 www.ledvanceUS.com

SYLVANIA and LEDVANCE are registered trademarks.
 All other trademarks are those of their respective owners.
 Licensee of product trademark SYLVANIA in general lighting.
 Specifications subject to change without notice.

[/sylvania](#) [/sylvania](#)

Name: _____
 Email: _____
 Phone: _____

