

SYLVANIA Luminaires

MICRODISK LightSHIELD™

Application

The SYLVANIA MICRODISK LightSHIELD is an everyday light with germ fighting benefits. This fixture fights germs and odors offering continuous purification thanks to the integrated lamp coating which is harmless to humans and animals. This product is a six-inch downlight for new and remodel construction and offers 5 selectable color temperatures.

Benefits and Features

- Efficient germicidal technology
- Kills germs and odors
- Harmless to humans and animals
- Environmentally safe
- 5 color selectable
- Offered in 16 watts
- Uniform, glare free illumination distribution
- CRI >90
- Energy savings up to 84%

Electrical

- 120V_{AC}
- Power Factor >0.9
- Phase-cut dimmable

Rated Life

- 50,000 hours (L₇₀)

Warranty

- 5-year
- NLB Trusted Warranty Program

Operating Temperature

- -4°F to +104°F (-20°C to +40°C)

Item #
Type
Project
Notes
Date



Wattage Comparison

Traditional Source	Traditional System Wattage	LED System Wattage	Energy Savings
Incandescent	100	16	84%

Certifications and Listings

- cETLus
- RoHS
- FCC
- ENERGY STAR®
- T24

Installation

- Hardwire



Ordering Guide

LED	MD	6	R	800	ST	9	SC3	LS
Product Name LED = LED Luminaire	Product Type MICRODISK	Diameter 6 = 6"	Shape R = Round	Lumens 800 = 800lm	Electrical S= Single T= Triac dimmable	CRI 9 = >90	Selectable CCT SC3 = 2700K, 3000K, 3500K, 4000K or 5000K	Product Type LS = LightSHIELD™

Ordering Information

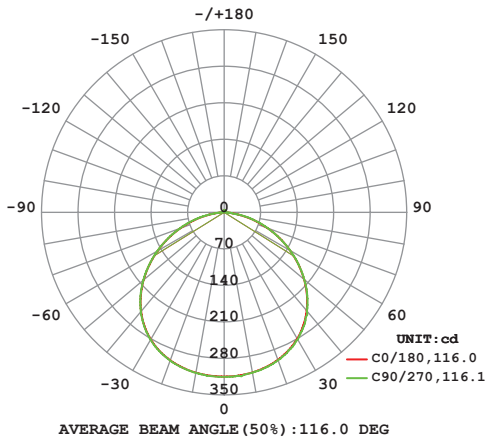
Item Number	Ordering Abbreviation	Power (W)	Base Type	Replaces	Input Voltage (V)	Avg. Life (hrs)	CCT	Typical Lumens (lm)	LPW	CRI	Power Factor	Bulb Finish	Case Qty	ENERGY STAR®	T20	T24
75750	LEDMD6R800ST9SC3LS	16	Hardwire	100W	120	50,000	2700K/3000K/ 3500K/4000K/ 5000K	800	50	>90	>0.9	Frosted	4	Yes	No	Yes

Energy Savings

Basic Product Description	LED Life (hrs)	LED Lumens	Similar Incandescent	Incandescent Lumens	Watts Saved	Energy Savings*	LED Life vs Incandescent
LEDMD6R800ST9SC3LS	50,000	800	2000	1000	84	\$462	25x

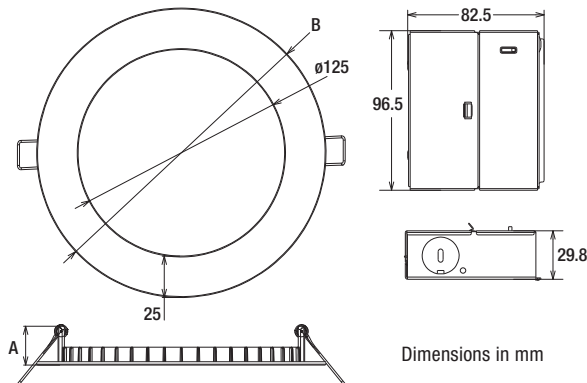
*Energy savings over life of lamp calculated at \$0.11/kWh

Photometric Data



Physical Information

Lamp Description	(A) Height in (mm)	(B) Diameter in (mm)
LEDMD6R	0.9 (22.86)	6.8 (172.72)



LEDVANCE LLC
 200 Ballardvale Street
 Wilmington, MA 01887 USA
 Phone 1-800-LIGHTBULB (1-800-544-4828)
 www.ledvanceUS.com

Name: _____
 Email: _____
 Phone: _____

SYLVANIA and LEDVANCE are registered trademarks.
 All other trademarks are those of their respective owners.
 Licensee of product trademark SYLVANIA in general lighting.
 Specifications subject to change without notice.

