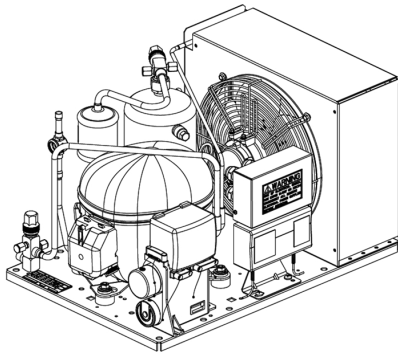


UNT0100LGD-A22A



ENGINEERING CODE
503EDN604DA



REFRIGERANT
R-404A



POWER SUPPLY
208-230 V 60 Hz



APPLICATION
LBP



MOTOR TYPE
CSR



STANDARD
AHRI



COOLING CAPACITY
1109 W



EFFICIENCY
1.21 W/W

DATA

GENERAL DATA

Model UNT0100LGD-A22A

ELECTRICAL DATA

Locked Rotor Amperage (LRA) 40.00 A

Rated Load Amperage (RLA) 5.80 A

Maximum Overcurrent Protection (MOP) 13.05 A

Minimum Current Ampacity (MCA) 7.3 A

ACCESSORIES

Dryer FILTER DRYER 10MM ODF 2730010

Dualpressostat PS2 A7K 2466035

Sightglass SIGHT GLASS M/25X4 SGP10S 2464417

Discharge valve SOLDER 3/8" 2110049

Suction valve SOLDER 1/2" 2110143

CONDENSING COMPONENTS

Compressor NT2192GK LBP

Condenser 4R12T 2451256

Refrigerant R-404A

Expansion Device C-V

Fan Blade Diameter 254 mm

MECHANICAL DATA

Air Flow	640 m ³ /h
Height	324 mm
Receiver	2.3 L
Shaft Power	16 W
Weight	35 Kg
Width	377 mm
Length	550 mm

PERFORMANCE

TESTED CONDITIONS

Tested Refrigerant	R-404A
Tested Application	LBP
Tested Standard	AHRI

RATED POINTS

Ambient Temperature °C	Evaporating Temperature °C	Cooling Capacity W	Efficiency W/W	Consumo de Potencia W
32	-23.3	1109	1.21	915

Test Condition: Subcooling 2.8 K, Return Gas 4 °C.

PERFORMANCE CURVE

Ambient Temperature 25°C

Evaporating Temperature °C	Cooling Capacity W	Efficiency W/W	Consumo de Potencia W
-40	602	1.23	492
-30	973	1.32	740
-25	1185	1.41	839
-20	1421	1.50	948
-15	1688	1.55	1086
-10	1991	1.56	1272

Test Condition: Subcooling 2.8 K, Return Gas 4 °C.

PERFORMANCE CURVE

Ambient Temperature 32°C

Evaporating Temperature °C	Cooling Capacity W	Efficiency W/W	Consumo de Potencia W
-40	518	1.09	475
-30	853	1.12	762
-25	1041	1.19	876
-20	1249	1.26	995
-15	1485	1.30	1140
-10	1752	1.32	1329

Test Condition: Subcooling 2.8 K, Return Gas 4 °C.

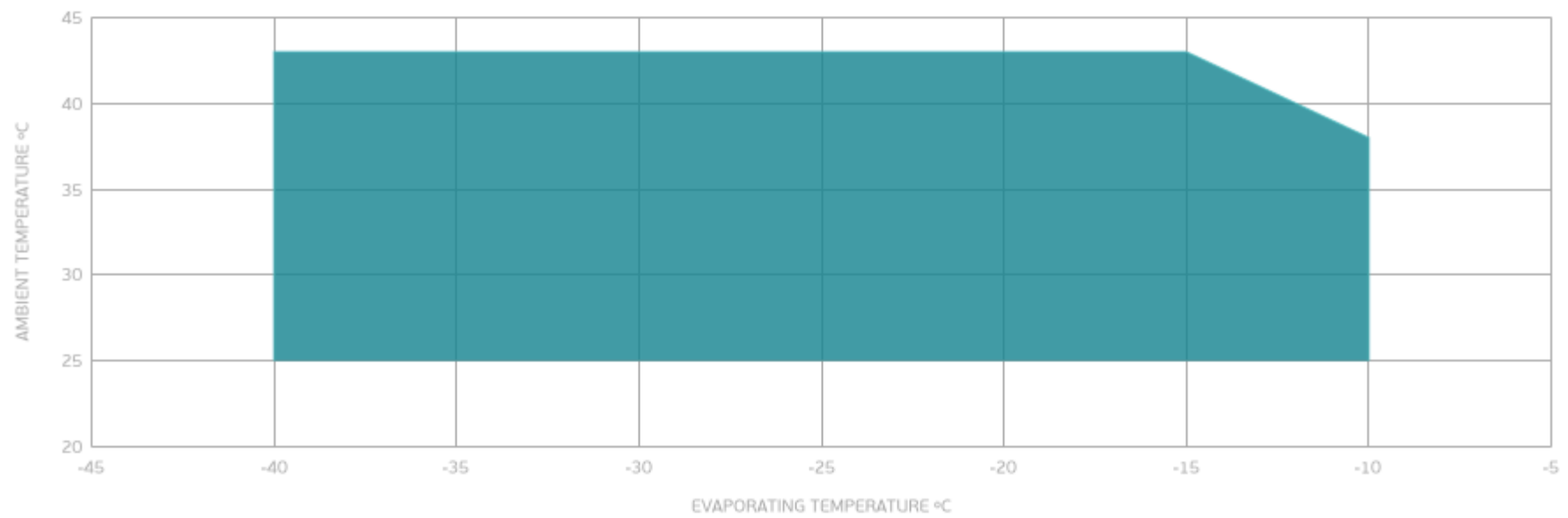
PERFORMANCE CURVE

Ambient Temperature 43°C

Evaporating Temperature °C	Cooling Capacity W	Efficiency W/W	Consumo de Potencia W
-40	383	0.80	477
-30	672	0.87	768
-25	827	0.94	875
-20	997	1.02	982
-15	1188	1.07	1109

Test Condition: Subcooling 2.8 K, Return Gas 4 °C.

ENVELOPE



■ OPERATING CONDITION

EXTERNAL DIMENSIONS

