

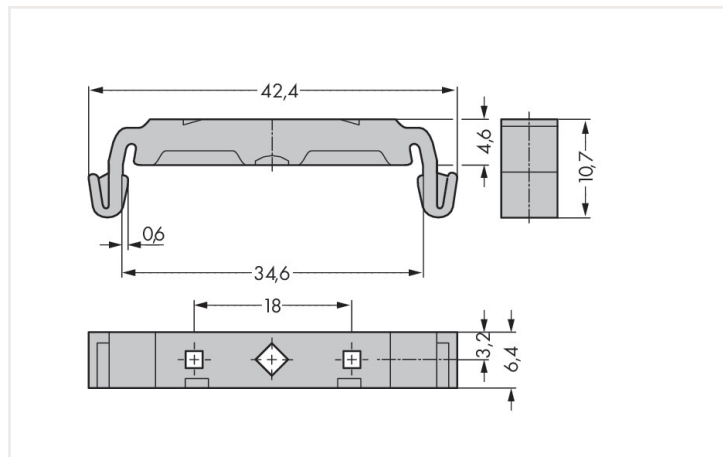
# | : 209-120

Mounting foot; can be snapped on terminal blocks with snap-in mounting foot; for mounting on relay-modules; 6.4 mm wide; gray

<https://www.wago.com/209-120>



: ■ gray



Dimensions in mm

## Technical data

Main product function

Mounting accessories

Mounting type

DIN-35 rail

## Physical data

Width	6.4 mm / 0.252 inches
Height	42.3 mm / 1.665 inches
Depth	10.8 mm / 0.425 inches

## Mechanical data

Suitable	for male and female connectors with snap-in mounting feet (for panel mounting)
----------	--

## Material data

Color	gray
Material group	I
Insulation material	Polyamide (PA66)
Flammability class per UL94	V0
Fire load	0.036 MJ
Weight	1.2 g

## Commercial data

Product Group	2 (Terminal Block Accessories)
eCl@ss 10.0	27-14-11-92
eCl@ss 9.0	27-14-11-92
ETIM 8.0	EC002848
ETIM 7.0	EC002848
PU (SPU)	500 (25) Stück
Packaging type	Box
Country of origin VKOrg Germany	CH
GTIN	4017332272421
Customs tariff number VKOrg Germany	39269097900

## Downloads

### Environmental Product Compliance

Compliance Search			
Environmental Product Compliance 209-120			↓

## Documentation

Bid Text			
209-120	19.02.2019	xml 2.53 KB	↓
209-120	18.08.2017	doc 22.50 KB	↓

## CAD/CAE-Data

CAD data	
2D/3D Models 209-120	↓

CAE data	
EPLAN Data Portal 209-120	↓
WSCAD Universe 209-120	↓
ZUKEN Portal 209-120	↓

## 1 Compatible products

### 1.1 Optional accessories

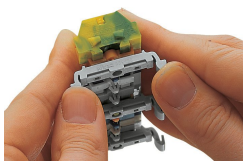
#### 1.1.1 Installation

##### 1.1.1.1 Mounting accessories

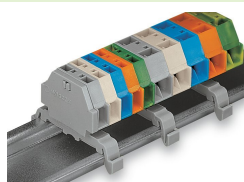


[: 209-119](#)  
Fixing screw; for 209-120 mounting carrier

## Installation notes



Terminal strip with snap-in mounting feet  
Snapping a mounting foot (209-120).  
(Distance between mounting feet: approx. 25 ... 30 mm)



Terminal strip; with snap-in mounting feet;  
for DIN-35 rail

Änderungen vorbehalten. Bitte beachten Sie auch die weitere Produktdokumentation!

Adressen finden Sie unter: [www.wago.com](http://www.wago.com)