

READY DISC 5CCT

120V AC 5CCT LED Disc Light

Multi-purpose surface mount disc for use with most junction boxes. Readily installable and suitable for wet locations, the Ready Disc 5CCT is a powerhouse; affording high lumen output with CCT selectable function, optimum color clarity, and a low profile design. Containing an energy-saving dimmable LED light, with driver on-board, and polycarbonate lens to diffuse and soften light. Easy mounting style makes installation quick and hassle-free.

- 1000 Lumen output performance consuming 15W
- 5CCT selectable with 90+ CRI for optimum color clarity
- Fast and easy installation
- Mounts to most 4" ceiling junction boxes
- Suitable for wet locations
- Aluminum housing with polycarbonate lens
- 10-100% Dimming with most TRIAC or CL dimmers
- cETLus Listed and JA8 Compliant
- 35,000 hour rated life with 3 year warranty

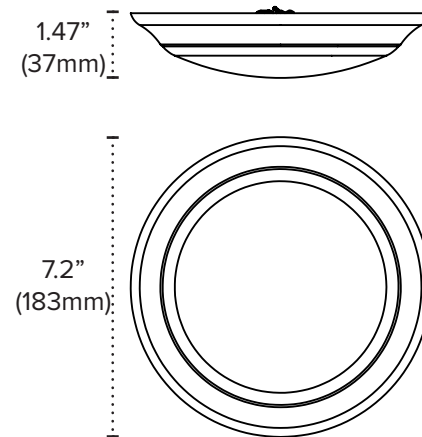
PROJECT:
TYPE:
LOCATION:
CATALOG NUMBER:



READY DISC 5CCT QUICK SPECS

SIZE	6"
INPUT VOLTAGE	120V AC, 60Hz
WATTAGE	15W
LUMENS	1000Lm
CCT	5CCT (2700K/3000K/3500K/4000K/5000K)
CRI	90+
DIMMING	10-100% with most TRIAC and ELV dimmers
BEAM ANGLE	100°
OPERATING TEMP	-10°C (-14°F) to 40°C (104°F)**
CERTIFICATIONS	cETLus - wet locations, JA8
RATED LIFE	35,000 Hours

READY DISC 5CCT QUICK DIMENSIONS



READY DISC 5CCT ORDERING INFORMATION

ITEM NUMBER	DESCRIPTION	VOLTAGE	WATTAGE	LUMENS	CCT	FINISH
RD6-5CCT-WH	6" Disc Light - Case of 6	120V AC	15W	1000Lm	5CCT	White

COMPATIBLE DIMMERS

BRAND	ITEM NUMBER	DESCRIPTION	DIMMING RANGE
Lutron® Diva	DVCL-153P	Universal (CFL/LED/Incandescent)	5-100%
Lutron® Toggler	TGCL-153PH	Universal (CFL/LED/Incandescent)	10-100%
Lutron® Skylark	SELV-300P	Electronic Low-Voltage (ELV)	5-100%
Lutron® Diva	DV-600P	Incandescent	5-100%
Leviton® Sureslide	6674	Universal (CFL/LED/Incandescent)	5-100%



AMERICAN LIGHTING WARRANTY

LIMITED WARRANTY FOR LED PRODUCTS: 3 YEARS

LIMITED PRODUCT WARRANTY

Our products are warranted to be free from defects in material and workmanship for the warranty period listed. Warranty periods begin from the date of shipment from American Lighting Inc's warehouse to the original purchaser. Products that prove to be defective during their specific warranty period will be either repaired or replaced, at the sole discretion of American Lighting Inc. Claims for defective products must be submitted in writing to American Lighting Inc's RGA Department within the warranty period. Upon approval of such return, American Lighting Inc reserves the right to inspect the product for misuse or abuse. Claims for indirect or consequential damages or for product that, in American Lighting Inc's opinion, has been misused will be denied. This is a warranty of product reliability only and not a warranty of merchantability or fitness for a particular purpose. American Lighting Inc shall have no liability whatsoever in any event for payment of incidental or consequential damages, including, without limitations, installation costs and/or damages for personal injury and/or property. These products may represent a possible shock or fire hazard if improperly installed or altered in any way. This warranty does not apply to any product that has not been properly installed in accordance with current local codes and/or the National Electrical Code. Products that require a transformer, driver, or power supply must be used in conjunction with American Lighting Inc's recommended power supply to ensure safety and retain product warranty.

PRODUCT SPECIFICATIONS

For the latest product information, updates, instructions and details concerning specifications, colors, finishes, performance, installation and design, visit www.americanlighting.com. Color may vary from the color printed herein due to limitations in photographic and printing processes. American Lighting Inc. reserves the right to change product specifications without notice. Other product specifications such as color temperature, wavelength characteristics and lumen output are subject to production limitations and may vary. LED technology is changing rapidly, and not all color temperatures and performance levels can be duplicated at a later time. Best practices include purchasing 10-15% more for a particular project on the same initial order where white LED color temperatures must be maintained over project and product life. Eventual product replacement should be considered at layout and design stages. Best practices also include testing connections and product performance prior to mounting and/or installing.

AVERAGE LIFE

Average incandescent lamp life, rated life and average life are terms used to describe the number of hours at which half of the lamps have failed. For LEDs, the hours of rated life specify the point where 70% of original lumen output is reached. Below this point, the effective life is over, however, the LED may still emit light. Individual results may vary with actual environmental conditions including, but not limited to, proper installation, ambient temperature and/or input voltage fluctuations.